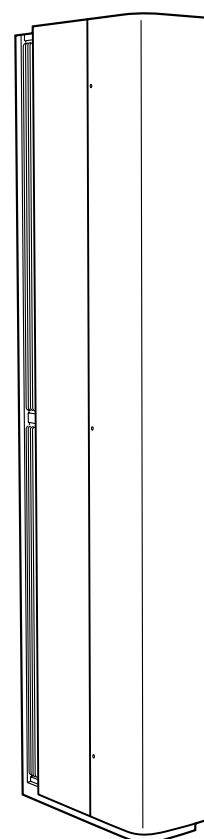
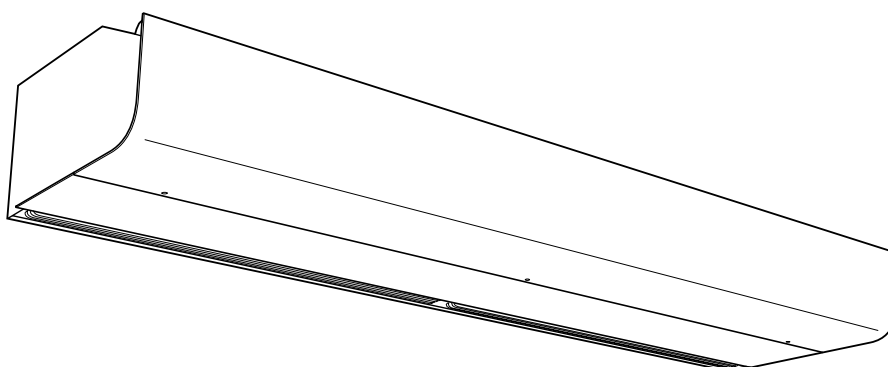


Original instructions  
**PA3500/4200**



SE ... 29

GB ... 35

NO ... 40

DE ... 46

ES ... 52

FR ... 58

IT ... 64

NL ... 70

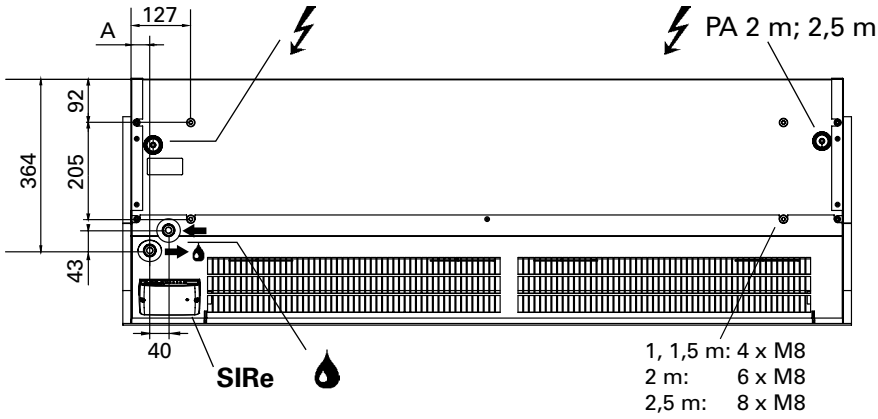
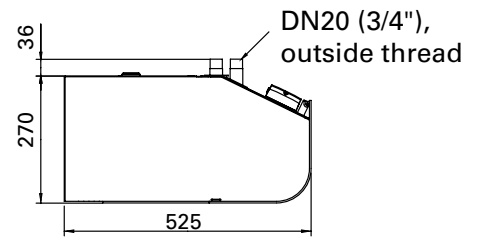
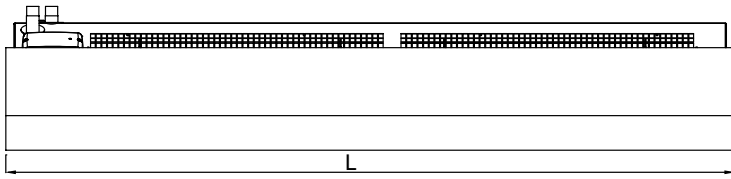
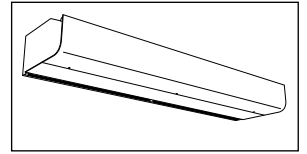
PL ... 76

RU ... 82

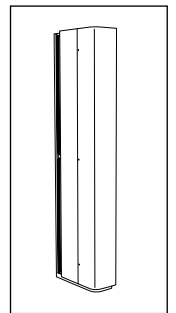
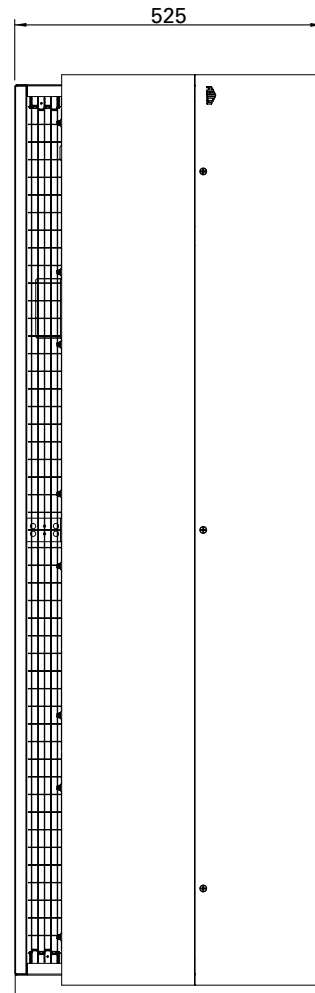
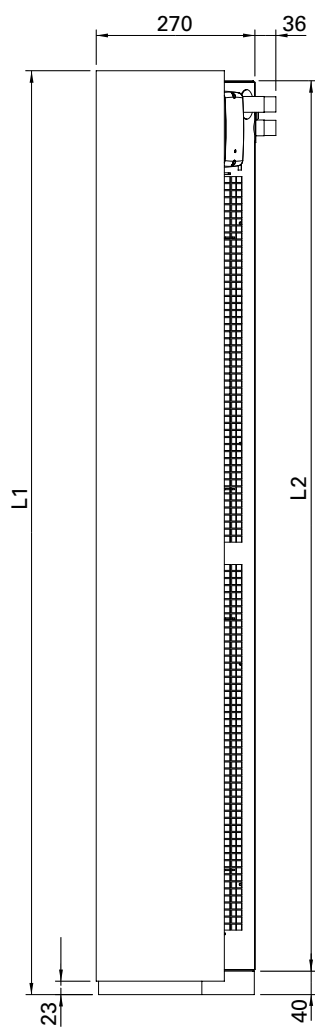
FI ... 88

- SE** Introduktionssidorna består huvudsakligen av bilder. För översättning av de engelska texter som används, se respektive språksidor.
- GB** The introduction pages consist mainly of pictures. For translation of the English texts used, see the respective language pages.
- NO** Introduksjonssidene består hovedsakelig av bilder. For oversettelse av de engelske tekstene, se de respektive språksidene.
- FR** Les pages de présentation contiennent principalement des images. Pour la traduction des textes en anglais, consultez la page correspondante à la langue souhaitée.
- DE** Die Einleitungsseiten bestehen hauptsächlich aus Bildern. Für die Übersetzung der verwendeten Texte in englischer Sprache, siehe die entsprechenden Sprachseiten.
- ES** Las páginas introductorias contienen básicamente imágenes. Consulte la traducción de los textos en inglés que las acompañan en las páginas del idioma correspondiente.
- NL** De inleidende pagina's bevatten hoofdzakelijk afbeeldingen. Voor een vertaling van de gebruikte Engelse teksten, zie de pagina's van de resp. taal.
- IT** Le pagine introduttive contengono prevalentemente immagini. Per le traduzioni dei testi scritti in inglese, vedere le pagine nelle diverse lingue.
- PL** Początkowe strony zawierają głównie rysunki. Tłumaczenie wykorzystanych tekstów angielskich znajduje się na odpowiednich stronach językowych.
- RU** Страницы в начале Инструкции состоят в основном из рисунков, схем и таблиц. Перевод встречающегося там текста приведен в разделе RU.
- FI** Esittelysivut koostuvat lähinnä kuvista. Suvuilla olevien enlanninkielisten sanojen käännökset löytyvät ko. kielisivuilta.

PA3500

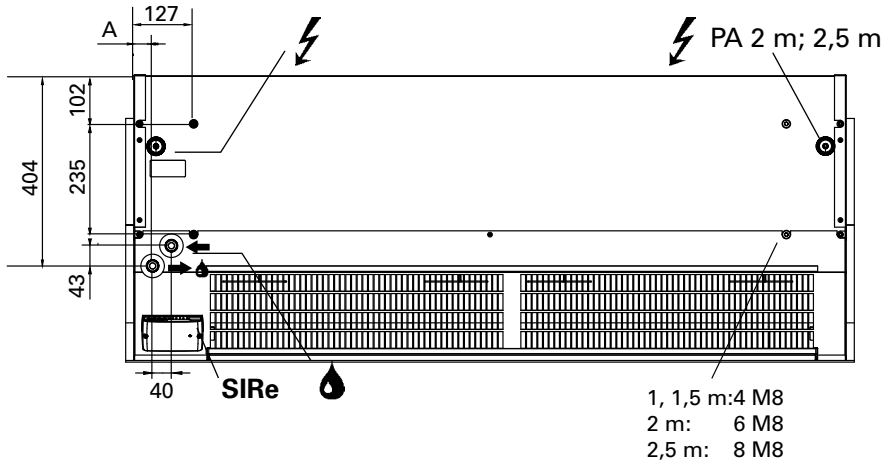
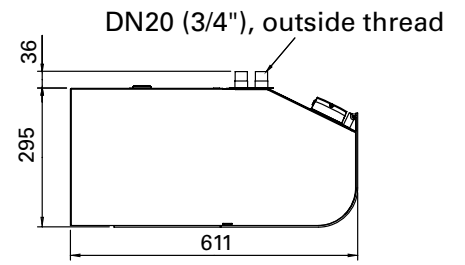
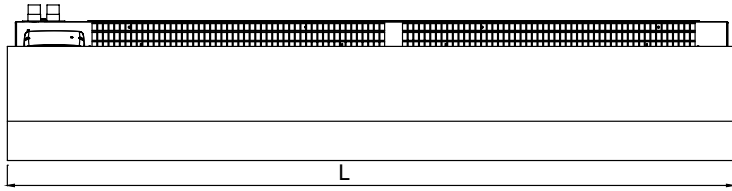
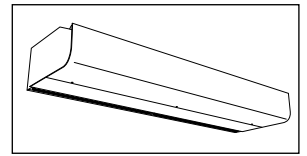


	L [mm]	A [mm]
PA3510	1039	40
PA3515	1549	40
PA3520	2039	40
PA3525	2549	39

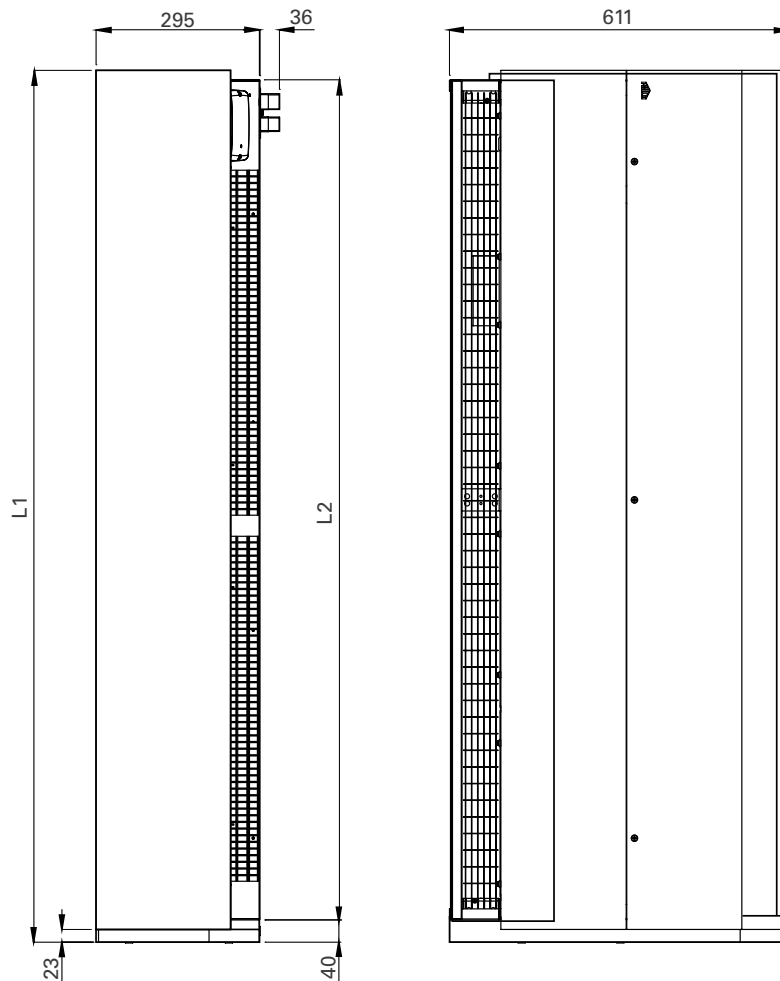


	L1 [mm]	L2 [mm]
PA3515	1572	1515
PA3520	2062	2004
PA3525	2572	2515

PA4200



	L [mm]	A [mm]
PA4210	1039	40
PA4215	1549	40
PA4220	2039	40
PA4225	2549	39



	L1 [mm]	L2 [mm]
PA4215	1572	1515
PA4220	2062	2004
PA4225	2572	2515

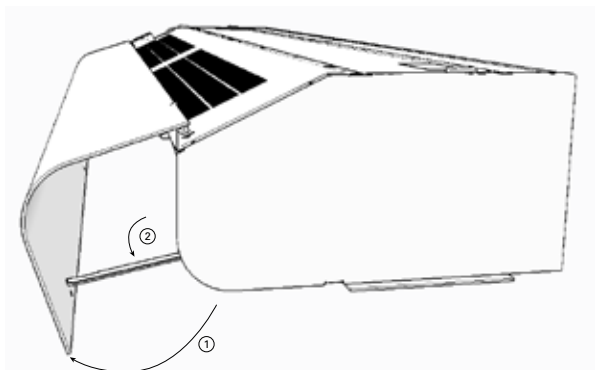


Fig. 1A: Open the unit by raising the front panel. The front is blocked in open position with the front hatch hook.

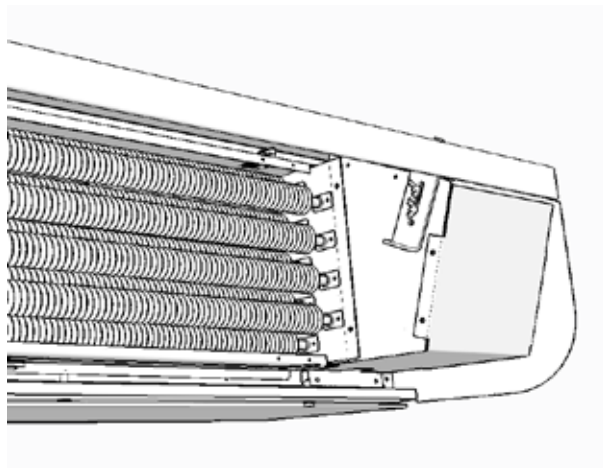


Fig. 1B: When the front has been removed it is important to be sure it is firmly seated in the front locks again.

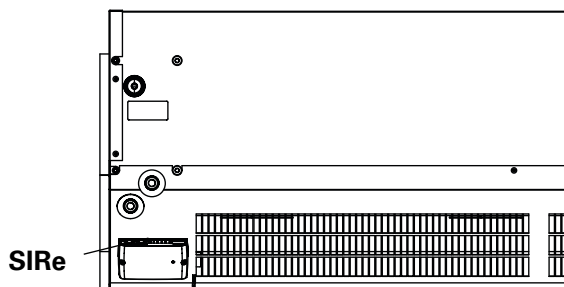


Fig. 2: Control card SIRe is integrated in the air curtain at delivery.

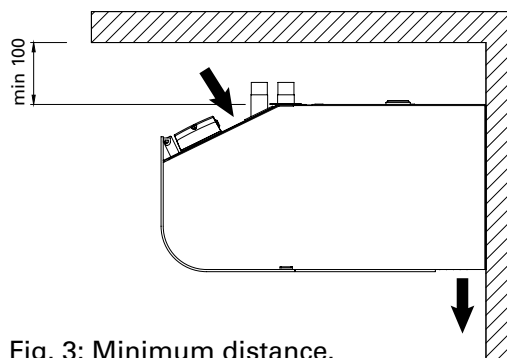


Fig. 3: Minimum distance.

### Filling the water coil

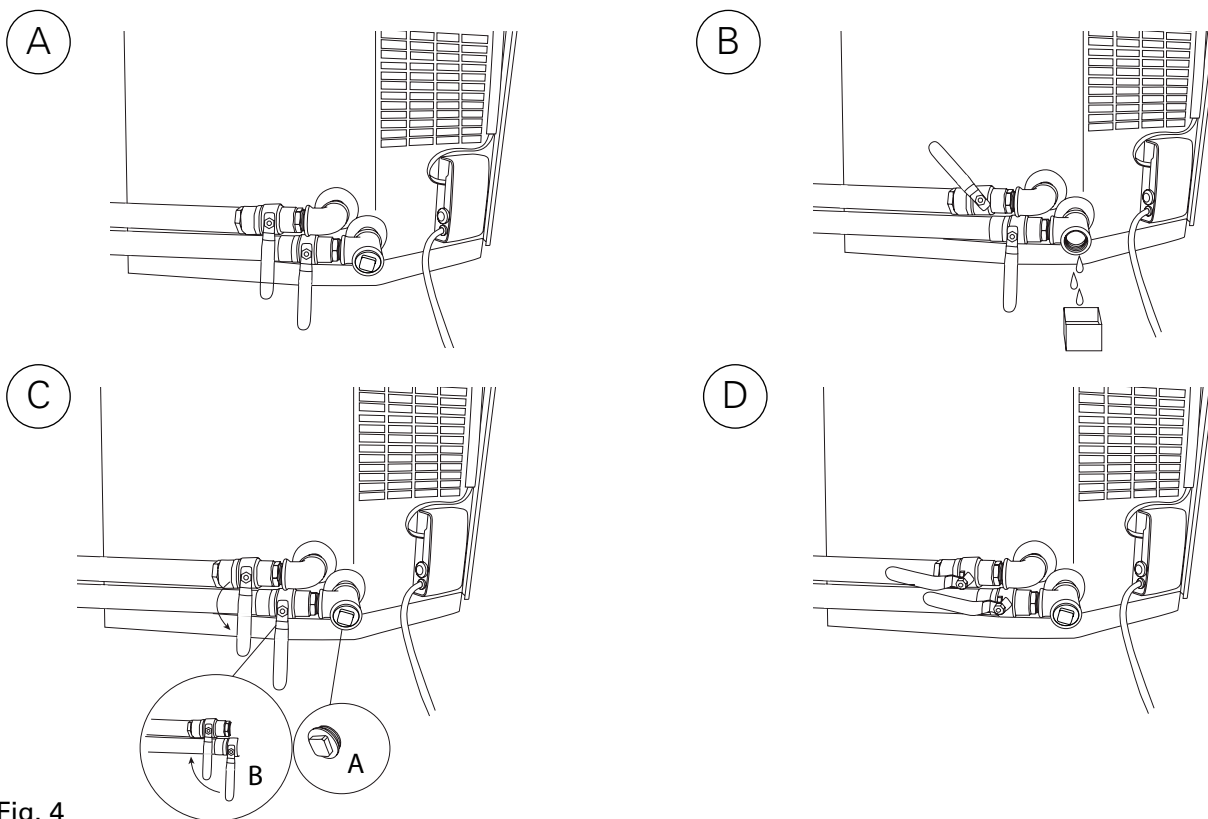
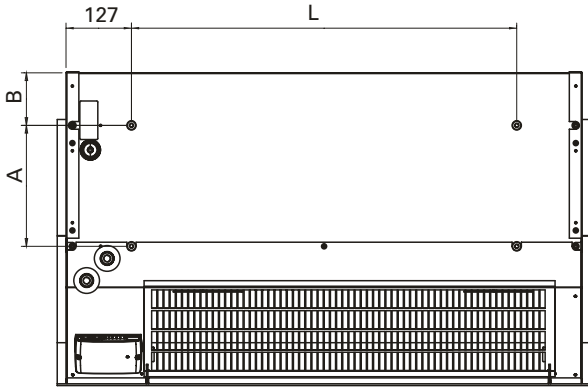


Fig. 4

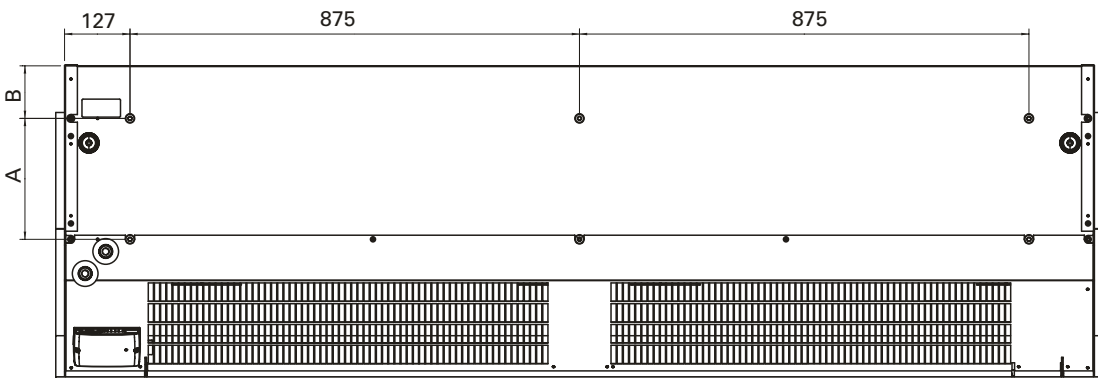
PA3510/PA3515/PA4210/PA4215



	A [mm]	B [mm]
PA3500	205	92
PA4200	235	102

	L [mm]
PA3510	750
PA4210	750
PA3515	1260
PA4215	1260

PA3520/PA4220



PA3525/PA4225

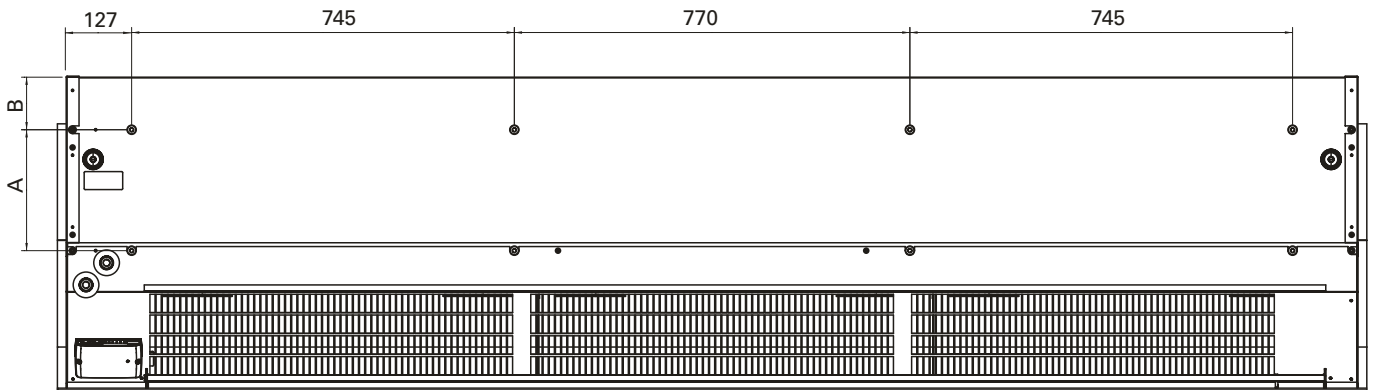


Fig. 5: M8-holes for mounting.

PA3500/4200 + PA34WB

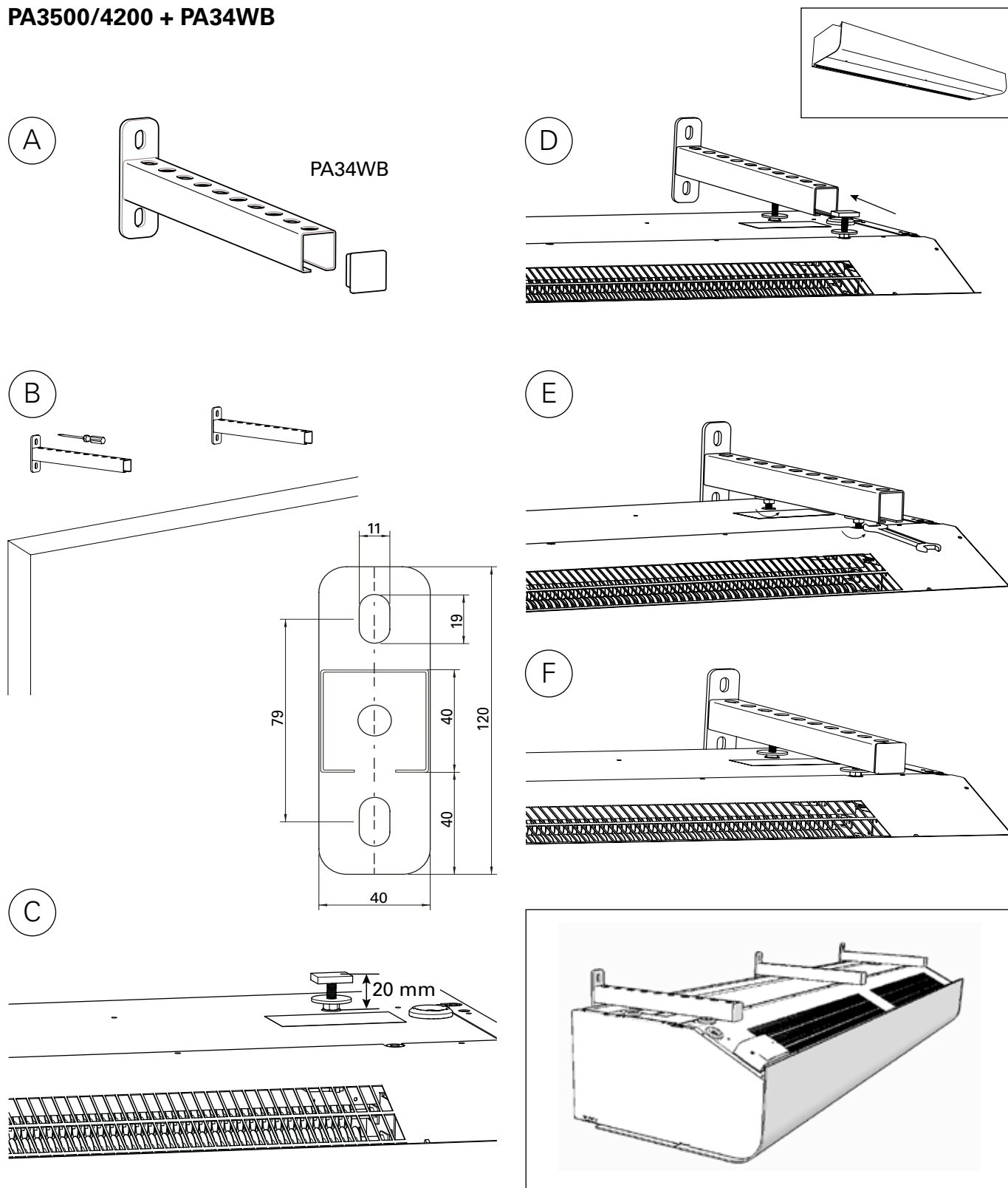


Fig. 6: See separate manual for PA34WB.

Type		Quantity included	Length	Fig.	E-nr (SE)	RSK-nr (SE)	EL-nr (NO)
PA34WB15	PA3510/15, PA4210/15	2 pcs	400 mm	Fig. 6	87 505 68	673 91 18	49 320 82
PA34WB20	PA3520, PA4220	3 pcs	400 mm	Fig. 6	87 505 69	673 91 19	49 320 83
PA34WB30	PA3525, PA4225	4 pcs	400 mm	Fig. 6	87 505 70	673 91 20	49 320 84

## Accessories

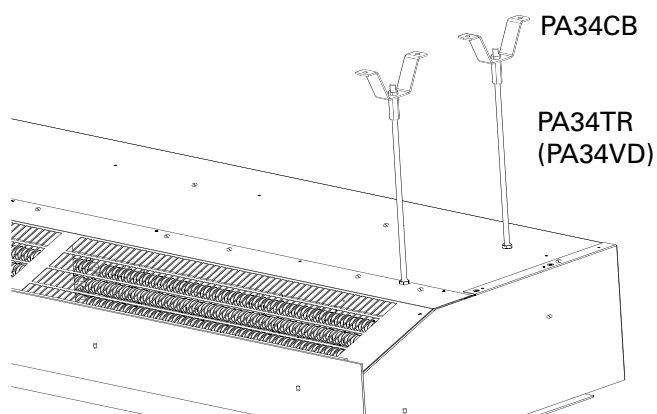


Fig. 7: PA34TR + PA34CB + PA34VD.  
See separate manual for PA34TR.

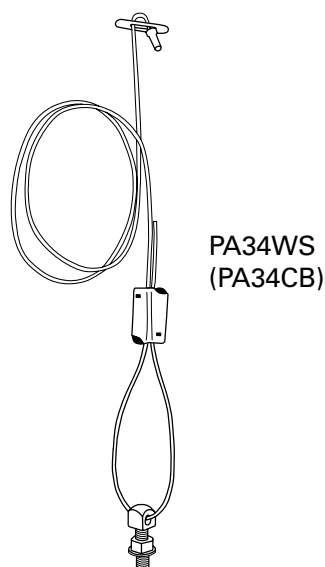
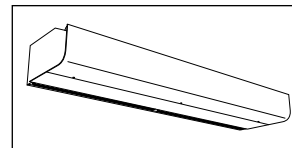


Fig.8: PA34WS + PA34CB  
See separate manual for PA34WS.



Type		Quantity included	Length	E-nr (SE)	RSK-nr (SE)	EL-nr (NO)
PA34CB15	PA3510/15, PA4210/15	4 pcs		87 505 71	673 91 21	49 320 59
PA34CB20	PA3520, PA4220	6 pcs		87 505 72	673 91 22	49 320 60
PA34CB30	PA3525, PA4225	8 pcs		87 505 73	673 91 23	49 320 61
PA34WS15	PA3510/15, PA4210/15	4 pcs	3 m	87 505 37	673 90 97	49 322 05
PA34WS20	PA3520, PA4220	6 pcs	3 m	87 505 38	673 90 98	49 322 06
PA34WS30	PA3525, PA4225	8 pcs	3 m	87 505 39	673 90 99	49 322 07
PA34TR15	PA3510/15, PA4210/15	4 pcs	1 m	87 505 32	673 90 94	
PA34TR20	PA3520, PA4220	6 pcs	1 m	87 505 34	673 90 95	
PA34TR30	PA3525, PA4225	8 pcs	1 m	87 505 35	673 90 96	
PA34VD15	PA3510/15, PA4210/15	4 pcs		87 505 74	673 91 24	
PA34VD20	PA3520, PA4220	6 pcs		87 505 75	673 91 25	49 320 96
PA34VD30	PA3525, PA4225	8 pcs		87 505 76	673 91 26	49 320 97

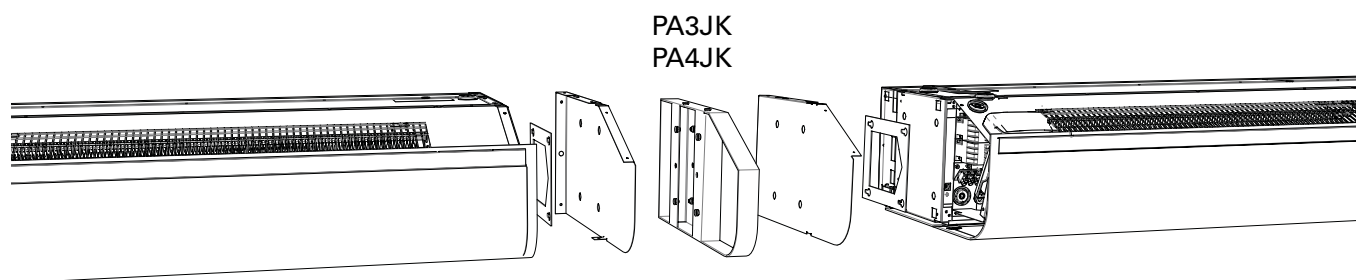


Fig. 9: See separate manual for PA3JK / PA4JK.

Type		E-nr (SE)	RSK-nr (SE)	EL-nr (NO)
PA3JK	PA3500	87 515 22	673 11 96	54 300 07
PA4JK	PA4200	87 515 23	673 11 97	54 300 08



## Accessories

Type		Length	E-nr (SE)	RSK-nr (SE)
<b>PA3XT10</b>	PA3510	130-200 mm	87 505 42	673 91 00
<b>PA3XT15</b>	PA3515	130-200 mm	87 505 43	673 91 01
<b>PA3XT20</b>	PA3520	130-200 mm	87 505 44	673 91 02
<b>PA3XT25</b>	PA3525	130-200 mm	87 505 45	673 91 03
<b>PA4XT10</b>	PA4210	130-200 mm	87 505 46	673 91 04
<b>PA4XT15</b>	PA4215	130-200 mm	87 505 47	673 91 05
<b>PA4XT20</b>	PA4220	130-200 mm	87 505 48	673 91 06
<b>PA4XT25</b>	PA4225	130-200 mm	87 505 49	673 91 07

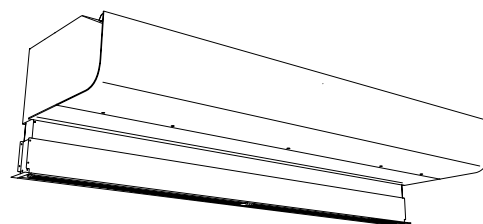
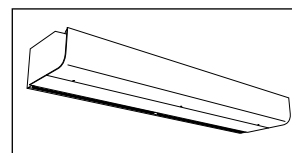
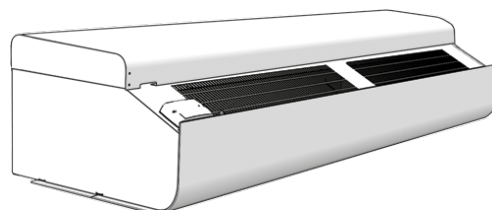


Fig. 10: See separate manual for PA3XT / PA4XT.

Type		Dimensions	E-nr (SE)	RSK-nr (SE)
<b>PA3DW10</b>	PA3510	87x382x1006 mm	87 505 77	673 91 27
<b>PA3DW15</b>	PA3515	87x382x1516 mm	87 505 78	673 91 28
<b>PA3DW20</b>	PA3520	87x382x2006 mm	87 505 79	673 91 29
<b>PA3DW25</b>	PA3525	87x382x2516 mm	87 505 80	673 91 30
<b>PA4DW10</b>	PA4210	87x424x1006 mm	87 505 81	673 91 31
<b>PA4DW15</b>	PA425	87x424x1516 mm	87 505 82	673 91 32
<b>PA4DW20</b>	PA4220	87x424x2006 mm	87 505 83	673 91 33
<b>PA4DW25</b>	PA4225	87x424x2516 mm	87 505 84	673 91 34

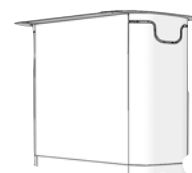


PA3DW  
PA4DW

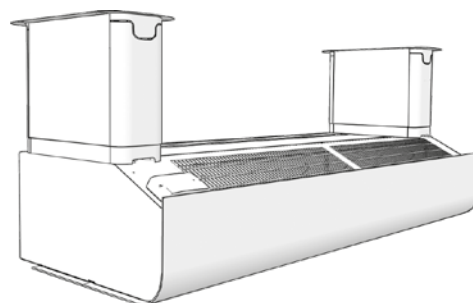


See separate manual for PA3DW/  
PA4DW.

Type		Length	E-nr (SE)	RSK-nr (SE)
<b>PA3DCS</b>	PA3500	200-300 mm	87 505 60	673 91 08
<b>PA3DCM</b>	PA3500	300-500 mm	87 505 61	673 91 09
<b>PA3DCL</b>	PA3500	500-900 mm	87 505 62	673 91 10
<b>PA3DXT</b>	PA3500	420 mm	87 505 63	673 91 11
<b>PA4DCS</b>	PA4200	200-300 mm	87 505 64	673 91 12
<b>PA4DCM</b>	PA4200	300-500 mm	87 505 65	673 91 13
<b>PA4DCL</b>	PA4200	500-900 mm	87 505 66	673 91 14
<b>PA4DXT</b>	PA4200	420 mm	87 505 67	673 91 15



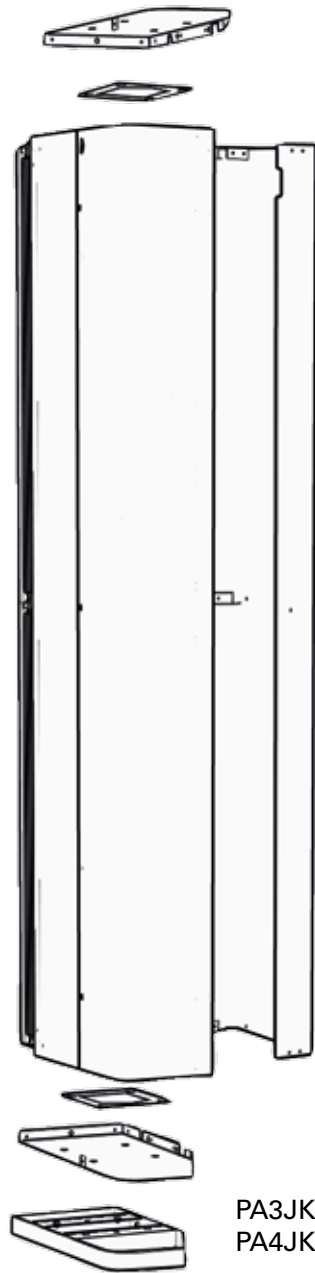
PA3DC  
PA4DC



See separate manual for PA3DC /  
PA4DC.

PA3510, PA4210: 2 pcs  
 PA3515, PA4215: 2 pcs  
 PA3520, PA4220: 3 pcs  
 PA3525, PA4225: 4 pcs

# Accessories



**Note! The air curtain must be secured in the wall or ceiling.**

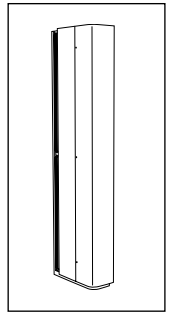
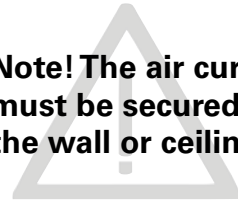
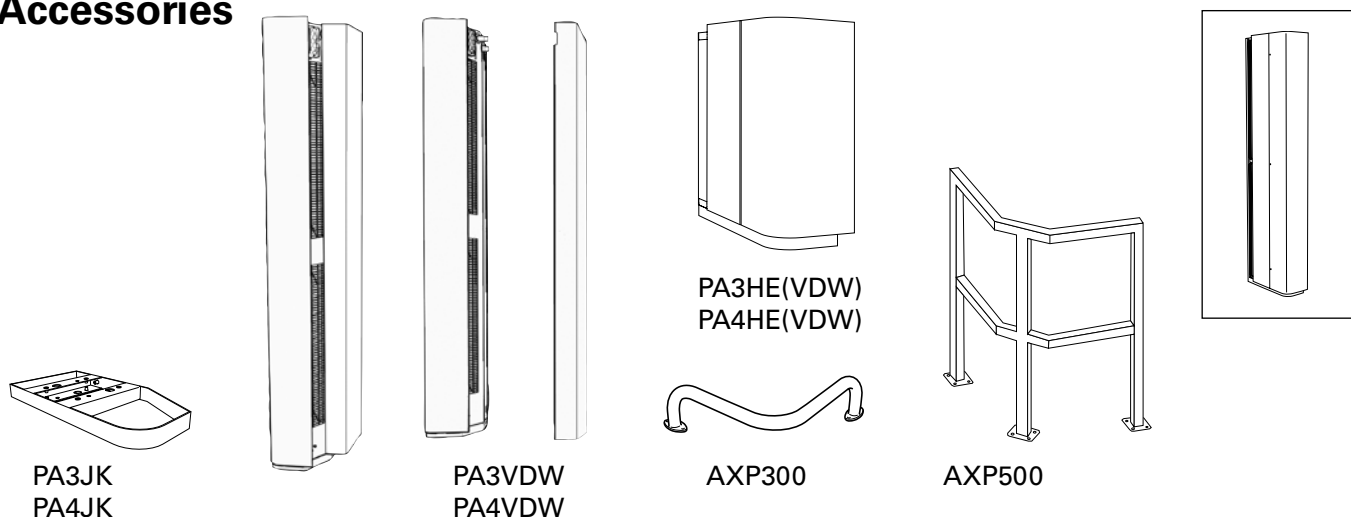
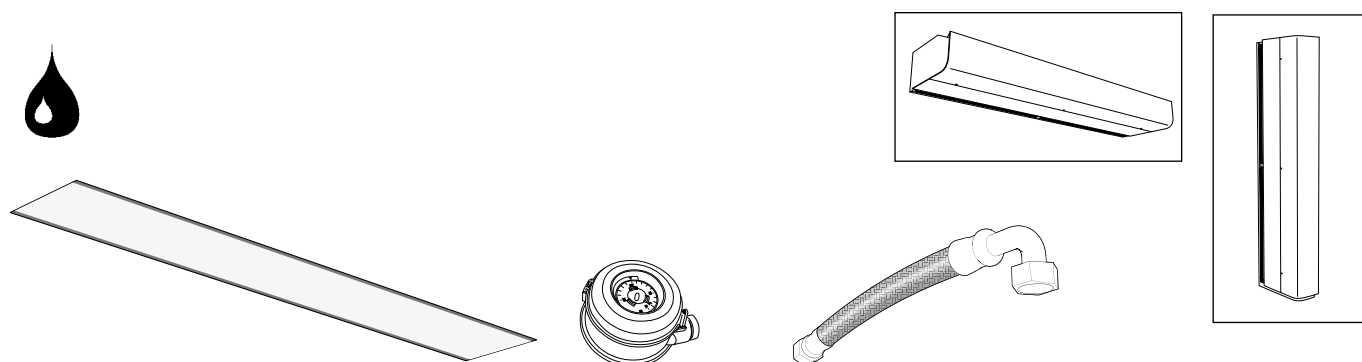


Fig. 11: See separate manual for PA3JK / PA4JK.

## Accessories



Type		E-nr (SE)	RSK-nr (SE)	EL-nr (NO)	NRF-nr (NO)
PA3JK	PA3500	87 515 22	673 11 96	54 300 07	85 023 71
PA4JK	PA4200	87 515 23	673 11 97	54 300 08	85 023 72
PA3VDW15	PA3515	87 515 16	673 20 83	54 300 01	
PA3VDW20	PA3520	87 515 17	673 20 84	54 300 02	
PA3VDW25	PA3525	87 515 18	673 20 85	54 300 03	
PA4VDW15	PA4215	87 515 19	673 20 86	54 300 04	
PA4VDW20	PA4220	87 515 20	673 20 87	54 300 05	
PA4VDW25	PA4225	87 515 21	673 20 88	54 300 05	
PA3HE	PA3500				
PA4HE	PA4200				
PA3HEVDW	PA3500				
PA4HEVDW	PA4200				
AXP300	PA3500/4200	87 514 87	672 69 77		
AXP500	PA4200				



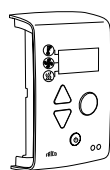
See separate manual for PA34EF.

DTV200S

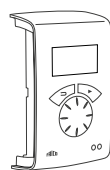
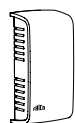
See separate manual for FHDN20.

Type		Length	RSK-nr (SE)
PA34EF10	PA3510W, PA4210W		673 20 95
PA34EF15	PA3515W, PA425W		673 20 96
PA34EF20	PA3520W, PA4220W		673 20 97
PA34EF25	PA3525W, PA4225W		673 20 98
DTV200S	PA3500/4200W		673 91 16
FHDN20	PA3500/4200W	350 mm	673 91 17
FHDN2010	PA3500/4200W	1000 mm	670 45 65

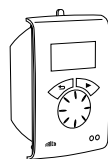
## Accessories



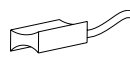
SIReBN

SIReACY  
SIReAAY

SIReRTX



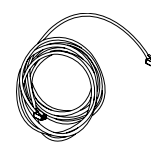
SIReUR



SIReWTA



SIReCJ4/SIReCJ6



SIReCC

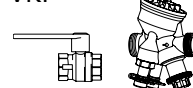
Type	E-nr (SE)	RSK-nr (SE)	EL-nr (NO)	NRF-nr (NO)	Dimensions	Length
SIReBN	87 506 57	673 19 43	54 090 04	85 025 82		
SIReACY	87 506 61	673 21 00	54 090 08	85 025 85		
SIReAAY	87 506 62	673 24 06	54 090 09	85 025 86		
SIReRTX	87 510 12	673 09 22	54 910 01	85 022 94	70x33x23 mm	
SIReUR	87 510 11	673 09 21	49 325 00	85 022 93	114x70x50 mm	
SIReWTA		673 09 69				
SIReCJ4	87 510 33	673 09 70	54 910 02			
SIReCJ6	87 510 34	673 09 71		85 025 24		
SIReCC603	87 510 13	673 09 23	54 329 01	85 022 95		3 m
SIReCC605	87 510 14	673 09 24	54 329 02	85 022 96		5 m
SIReCC610	87 510 15	673 09 25	54 329 03	85 022 97		10 m
SIReCC615	87 510 16	673 09 26	54 329 04	85 022 98		15 m
SIReCC640	87 510 45	673 18 79				40 m
SIReCC403	87 510 17	673 09 27	54 329 05	85 022 99		3 m
SIReCC405	87 510 18	673 09 28	54 329 06	85 023 01		5 m
SIReCC410	87 510 19	673 09 29	54 329 07	85 023 02		10 m
SIReCC415	87 510 20	673 09 30	54 329 08	85 023 03		15 m



Type	RSK-nr (SE)	NRF-nr (NO)	Connection
VLSP15LF	670 45 35		DN15
VLSP15NF	670 45 36	85 026 36	DN15
VLSP20	670 45 37	85 026 37	DN20
VLSP25	670 45 38	85 026 38	DN25
VLSP32	670 45 39	85 026 39	DN32
VLP15LF	670 45 30	67 309 47	DN15
VLP15NF	670 45 31	85 026 31	DN15
VLP20	670 45 32	85 026 32	DN20
VLP25	670 45 33	85 026 33	DN25
VLP32	670 45 34	85 026 34	DN32
VOT15	673 61 93	85 024 05	DN15
VOT20	673 61 94	85 024 06	DN20
VOT25	673 61 95	85 024 07	DN25
VMT15			DN15
VMT20			DN20
VMT25			DN25

## VLSP

VKF



SD230



BPV10

## VLP

VKF



SDM24



ST23024

## VOT



TRVS



SD230

## VMT



TRVS

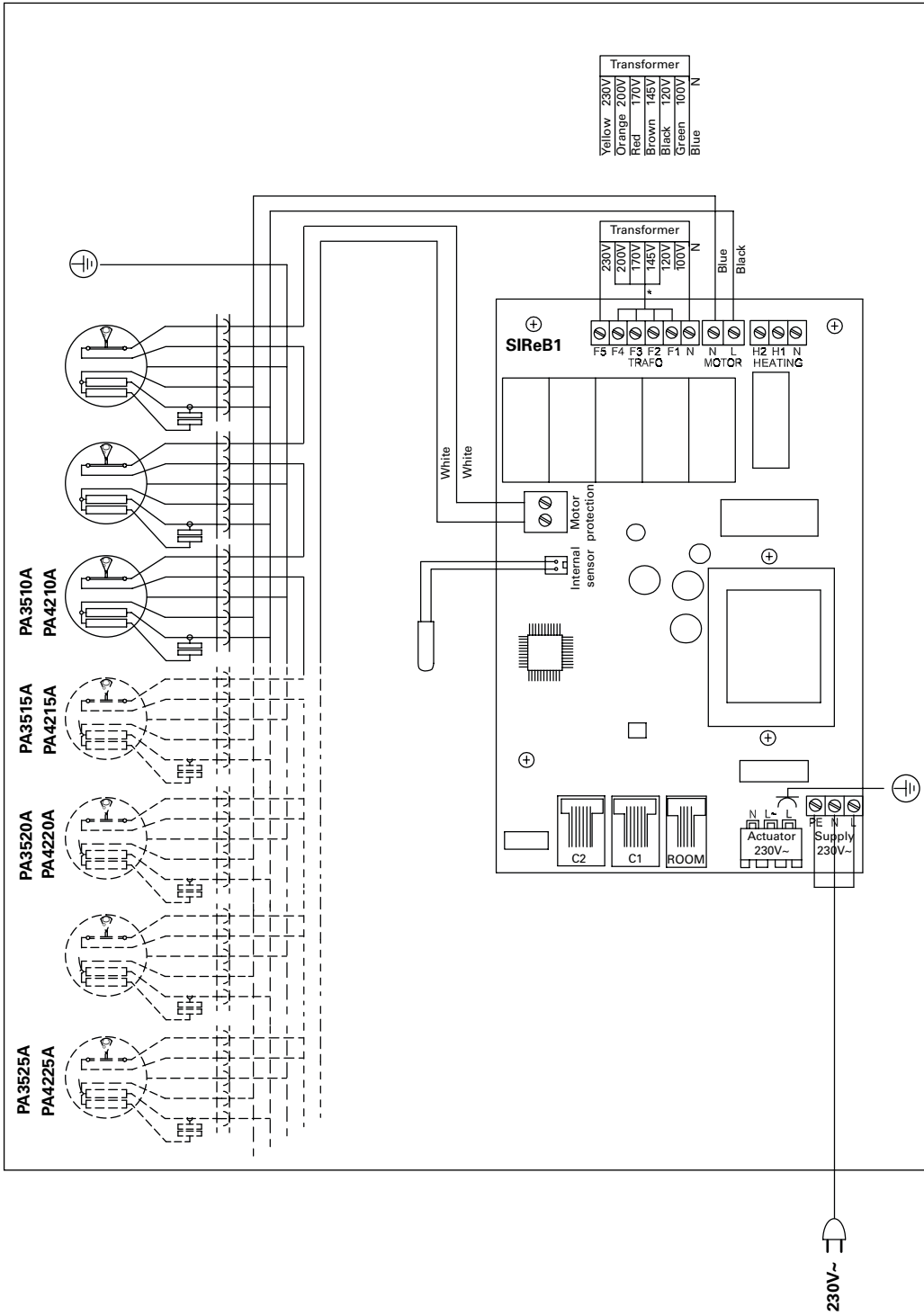


SDM24

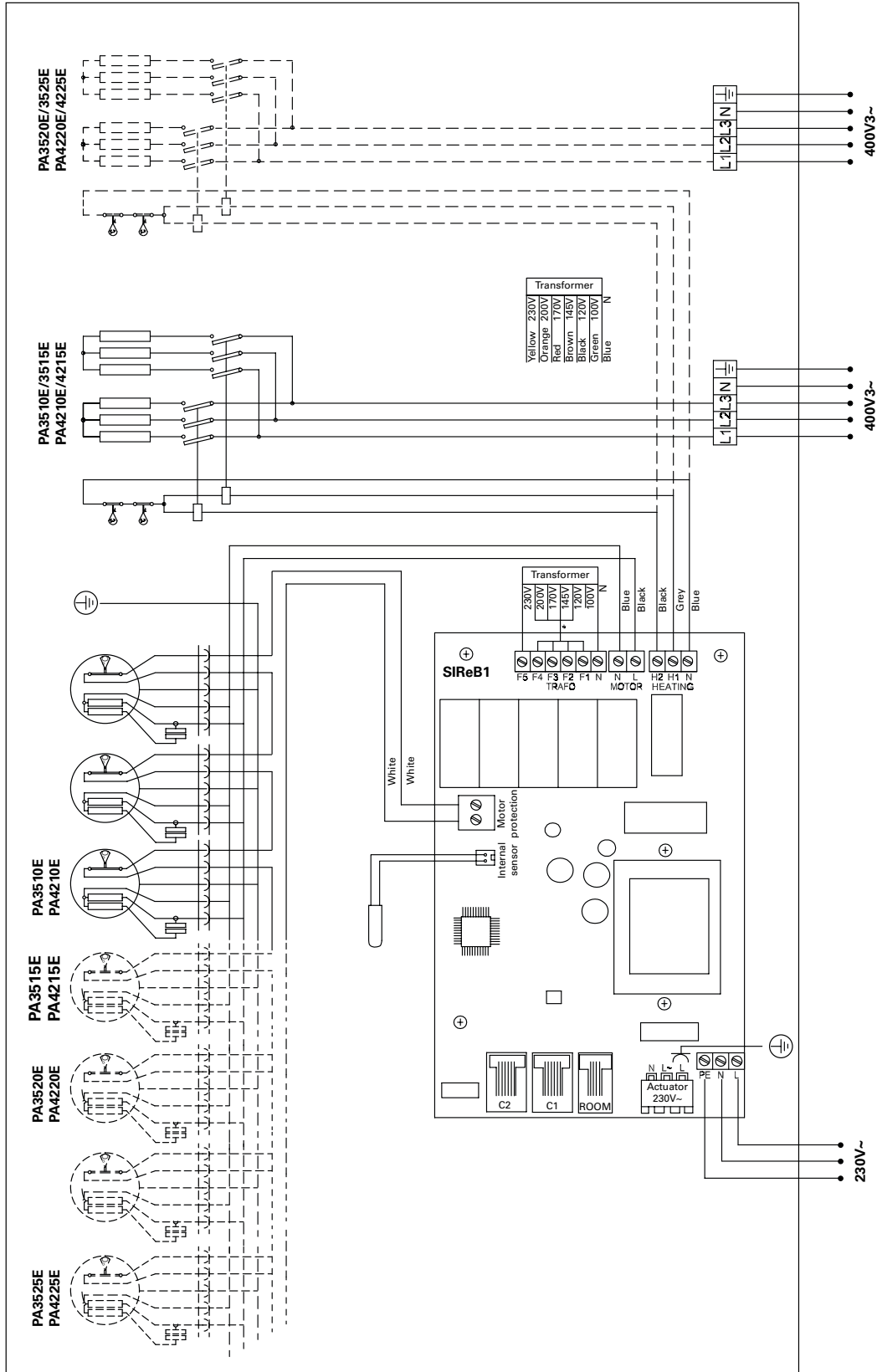


ST23024

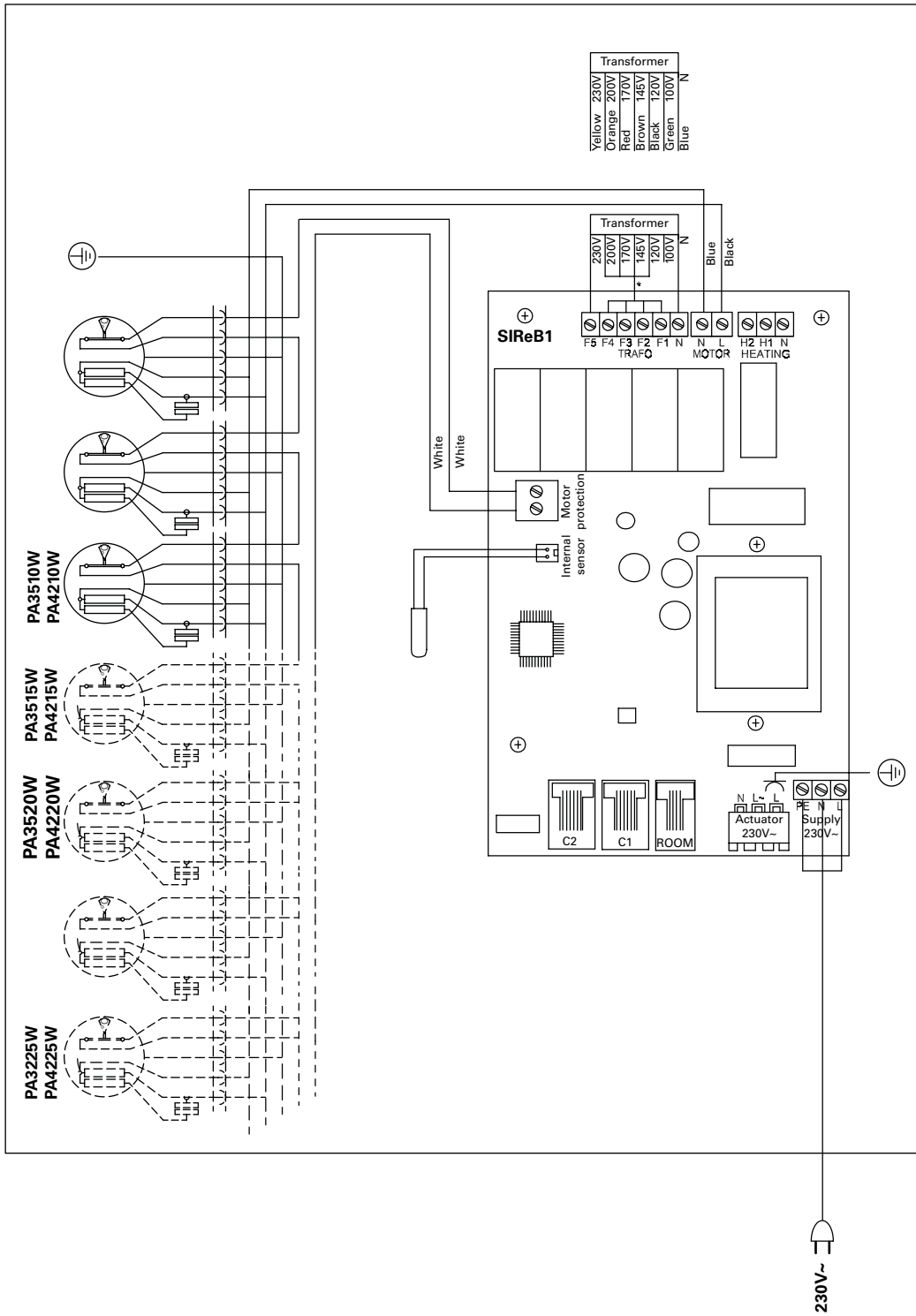
PA3500 A  
PA4200 A



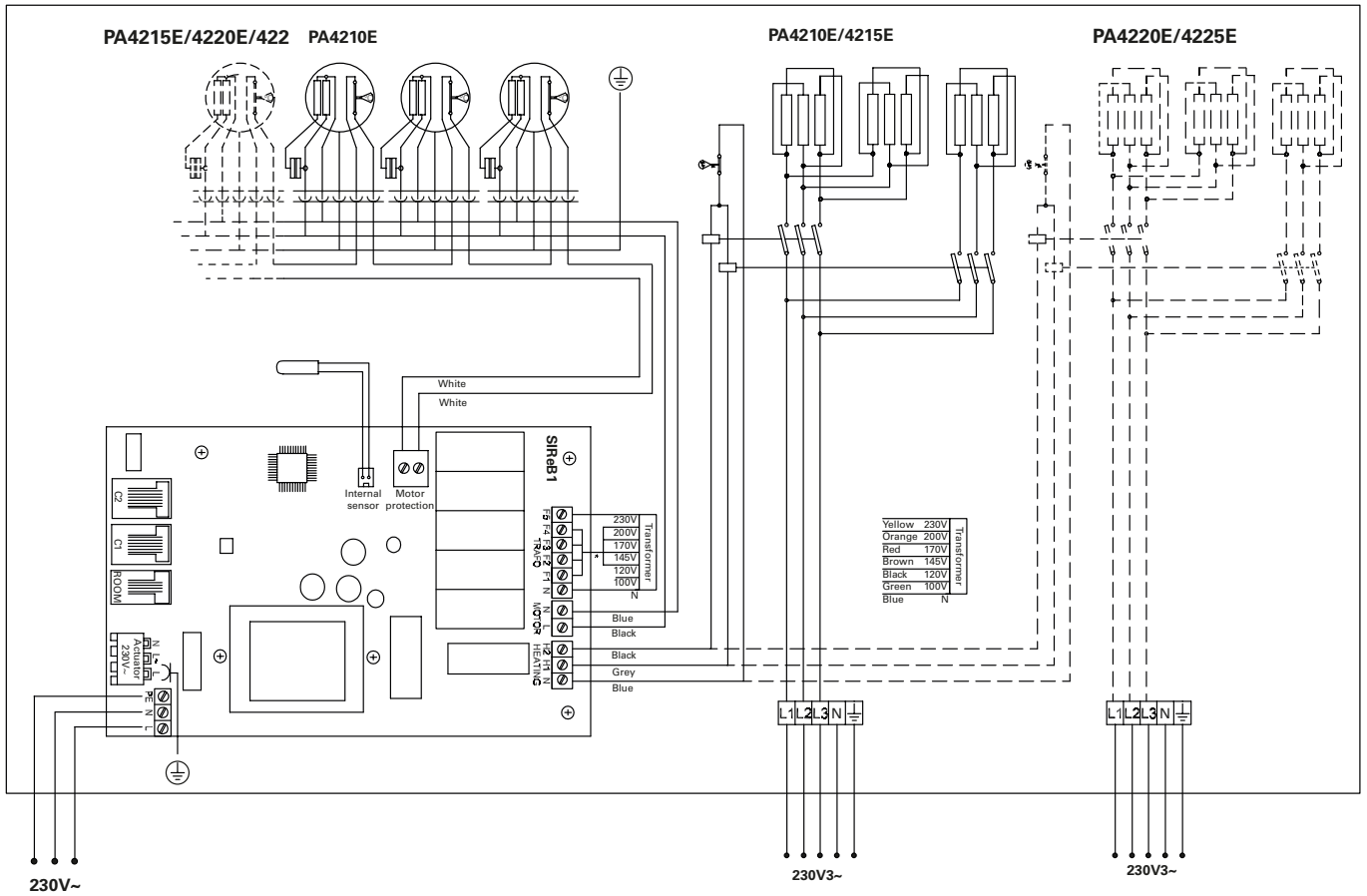
PA3500 E  
PA4200 E



PA3500 W  
PA4200 W



**PA3500 E 230V3~**  
**PA4200 E 230V3~**



Type	Output step [kW]	Airflow*1 [m³/h]	Δt*3 [°C]	Sound level*2 [dB(A)]	Output motor [W]	Voltage motor [V]	Amp. motor [A]	Voltage [V] Amperage [A] (heat)	Length [mm]	Weight [kg]
PA3510E08D	2,7/5,4/8,1	900/2000	27/12	41/61	580	230V~	2,6	230V3~/20,3	1039	44
PA3515E12D	3,9/7,8/12	1400/3100	26/12	42/62	880	230V~	3,9	230V3~/29,3	1549	63
PA3520E16D	5,4/11/16	1750/4000	28/12	43/63	1130	230V~	5,0	230V3~/40,5	2039	80
PA3525E20D	6,6/13/20	2400/5250	25/11,5	44/64	1500	230V~	6,5	230V3~/49,5	2549	104

Type	Output step [kW]	Airflow*1 [m³/h]	Δt*3 [°C]	Sound level*2 [dB(A)]	Output motor [W]	Voltage motor [V]	Amp. motor [A]	Voltage [V] Amperage [A] (heat)	Length [mm]	Weight [kg]
PA4210E12D	3,9/7,8/12	950/2400	38/15	46/66	920	230V~	4,0	230V3~/30	1039	50
PA4215E18D	6,0/12/18	1300/3500	42/16	47/67	1260	230V~	5,5	230V3~/45	1549	71
PA4220E24D	7,8/15/23	1900/4800	37/14	48/68	1840	230V~	8,0	230V3~/60	2039	94
PA4225E30D	9,9/20/30	2300/5900	39/15	49/69	2140	230V~	9,3	230V3~/75	2549	113

\*1) Lowest/highest airflow of totally 5 fan steps.

\*2) Conditions: Distance to the unit 5 metres. Directional factor: 2. Equivalent absorption area: 200 m².

\*3) Δt = temperature rise of passing air at maximum heat output and lowest/highest airflow.

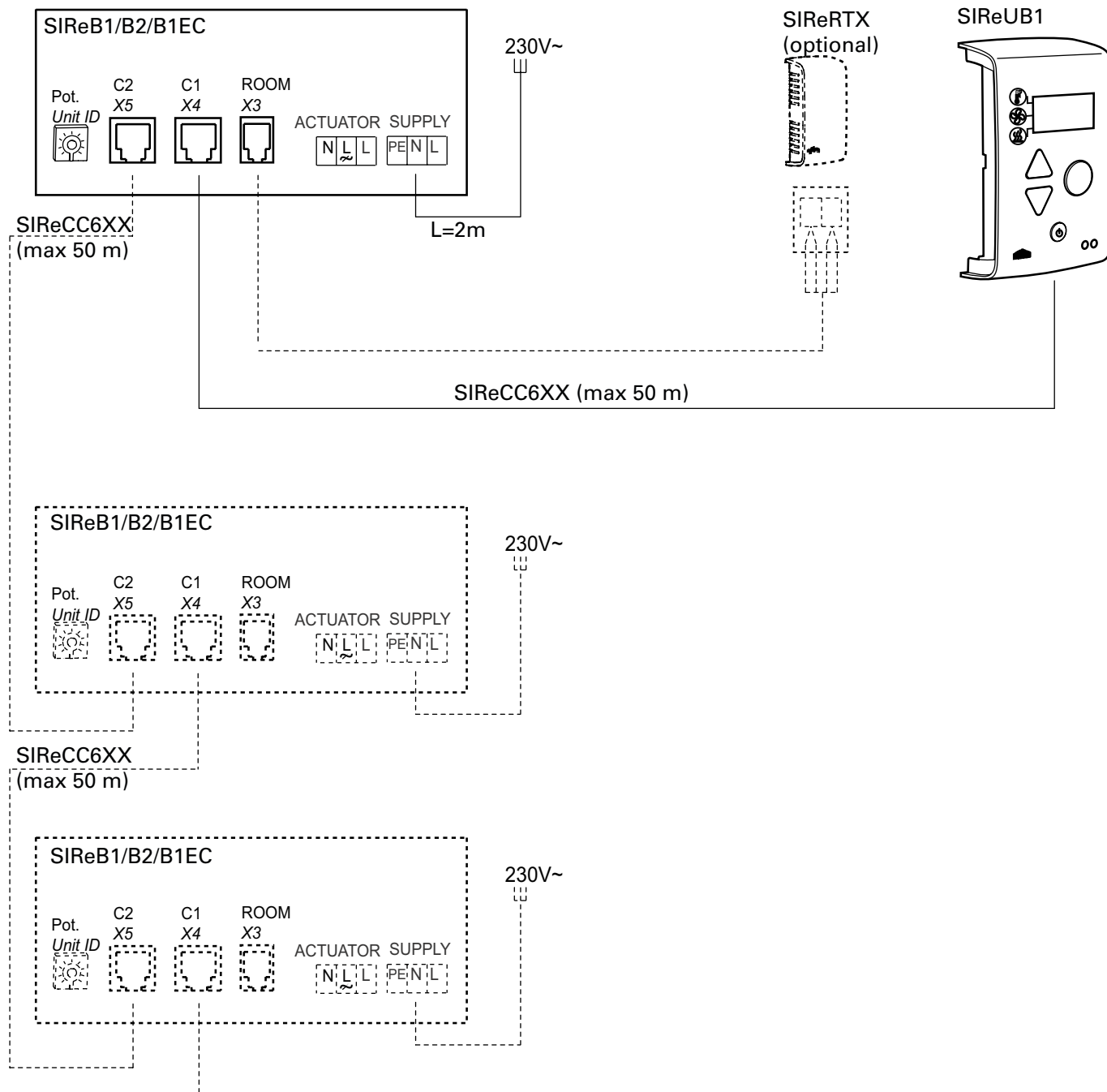
Protection class for units with electrical heating: IP20.

CE compliant.



**SIReB Basic**

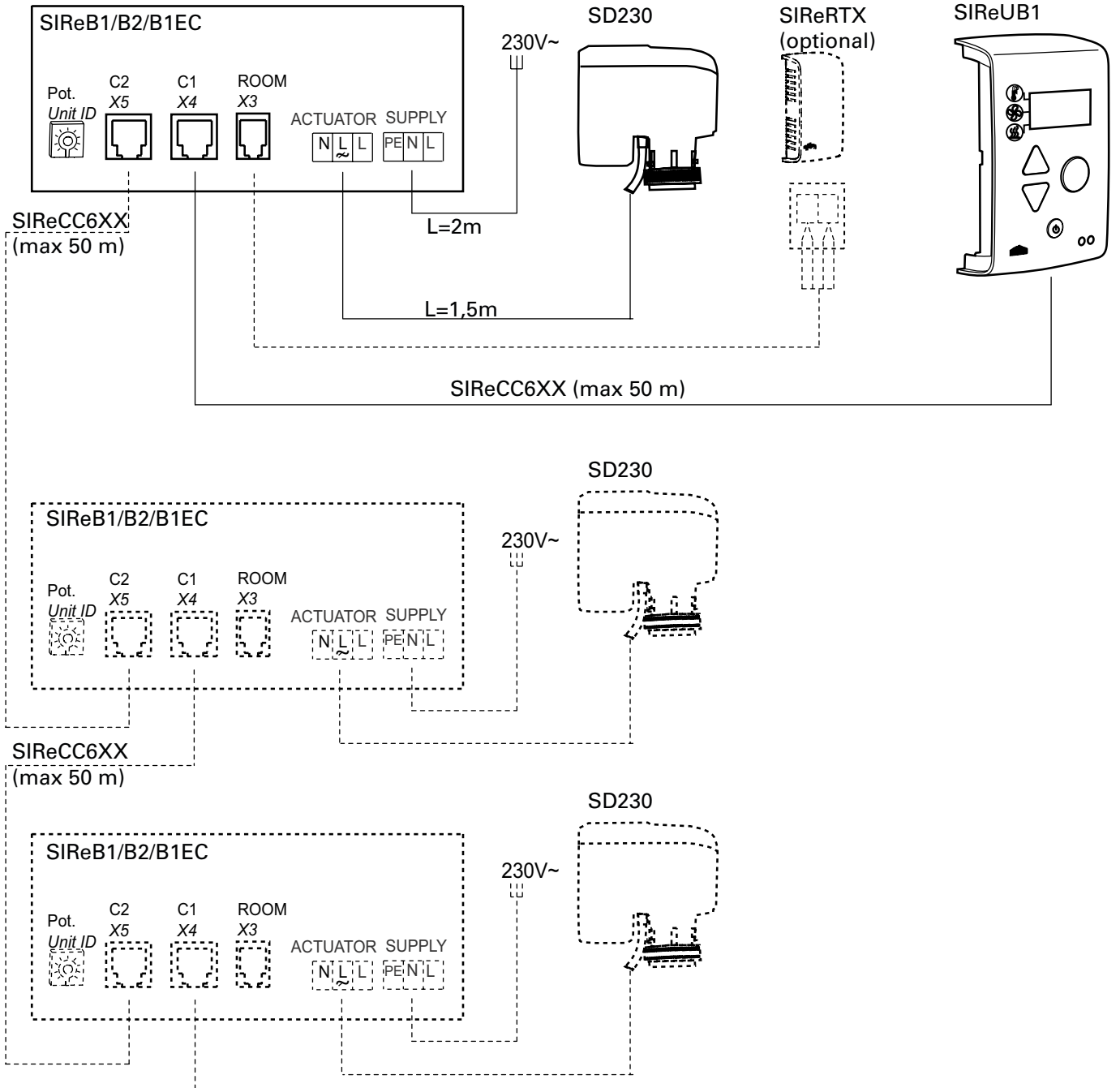
**PA3500/4200 A**  
**PA3500/4200 E**



Wiring diagrams for SIReAC Competent, see manual for SIRe.

**SIReB Basic**

**PA3500/4200 W**



**Wiring diagrams for SIReAC Competent and SIReAA Advanced, see manuals for SIRe.**

## Technical specifications PA3500

Voltage motor: 230V~

### ✦ Ambient, no heat - PA3500 A

Type	Output [kW]	Airflow* <sup>1</sup> [m <sup>3</sup> /h]	Sound power* <sup>2</sup> [dB(A)]	Sound pressure* <sup>3</sup> [dB(A)]	Output motor [W]	Voltage motor [V]	Amperage motor [A]	Length [mm]	Weight [kg]
PA3510A	0	900/2000	78	41/61	580	230V~	2,6	1039	36
PA3515A	0	1400/3100	79	42/62	880	230V~	3,9	1549	50
PA3520A	0	1750/4000	79	43/63	1130	230V~	5,0	2039	65
PA3525A	0	2400/5250	80	44/64	1500	230V~	6,5	2549	79

### ℥ Electrical heat - PA3500 E

Type	Output step [kW]	Airflow* <sup>1</sup> [m <sup>3</sup> /h]	$\Delta t$ * <sup>4</sup> [°C]	Sound power* <sup>2</sup> [dB(A)]	Sound pressure* <sup>3</sup> [dB(A)]	Output motor [W]	Amperage motor [A]	Voltage [V] Amperage [A] (heat)	Length [mm]	Weight [kg]
PA3510E08	2,7/5,4/8,1	900/2000	27/12	78	41/61	580	2,6	400V3~/11,7	1039	44
PA3515E12	3,9/7,8/12	1400/3100	26/12	79	42/62	880	3,9	400V3~/16,9	1549	63
PA3520E16	5,4/11/16	1750/4000	28/12	80	43/63	1130	5,0	400V3~/23,4	2039	80
PA3525E20	6,6/13/20	2400/5250	25/11,5	81	44/64	1500	6,5	400V3~/28,6	2549	104

### ♠ Water heat - PA3500 WL

Type	Output* <sup>5</sup> [kW]	Airflow* <sup>1</sup> [m <sup>3</sup> /h]	$\Delta t$ * <sup>4,5</sup> [°C]	Water volume [l]	Sound power* <sup>2</sup> [dB(A)]	Sound pressure* <sup>3</sup> [dB(A)]	Output motor [W]	Amperage motor [A]	Length [mm]	Weight [kg]
PA3510WL	12	950/1900	23/19	1,5	76	43/60	540	2,35	1039	43
PA3515WL	19	1350/2900	25/20	2,4	77	44/61	770	3,4	1549	60
PA3520WL	26	1800/3900	25/20	3,3	78	45/62	970	4,3	2039	75
PA3525WL	35	2300/5100	25/20	4,2	79	46/63	1310	5,7	2549	95

### ♠ Water heat - PA3500 WH

Type	Output* <sup>6</sup> [kW]	Airflow* <sup>1</sup> [m <sup>3</sup> /h]	$\Delta t$ * <sup>4,6</sup> [°C]	Water volume [l]	Sound power* <sup>2</sup> [dB(A)]	Sound pressure* <sup>3</sup> [dB(A)]	Output motor [W]	Amperage motor [A]	Length [mm]	Weight [kg]
PA3510WH	10	950/1900	21/16	1,0	76	43/60	540	2,35	1039	42
PA3515WH	16	1350/2900	22/17	1,6	77	44/61	770	3,4	1549	58
PA3520WH	23	1800/3900	23/17	2,2	78	45/62	970	4,3	2039	73
PA3525WH	29	2300/5100	23/17	2,9	79	46/63	1310	5,7	2549	92

### ♠ Water heat - PA3500 WLL

Type	Output* <sup>7</sup> [kW]	Airflow* <sup>1</sup> [m <sup>3</sup> /h]	$\Delta t$ * <sup>4,7</sup> [°C]	Water volume [l]	Sound power* <sup>2</sup> [dB(A)]	Sound pressure* <sup>3</sup> [dB(A)]	Output motor [W]	Amperage motor [A]	Length [mm]	Weight [kg]
PA3510WLL	7,6	900/1850	14/12	2,0	75	43/60	460	2,0	1039	44
PA3515WLL	11	1300/2750	14/12	4,1	76	44/61	740	3,25	1549	63
PA3520WLL	16	1700/3700	15/13	5,6	77	45/62	920	4,0	2039	78
PA3525WLL	21	2250/4900	15/13	8,3	78	46/63	1280	5,6	2549	100

\*1) Lowest/highest airflow of totally 5 fan steps.

\*2) Sound power ( $L_{WA}$ ) measurements according to ISO 27327-2: 2014, Installation type E.

\*3) Sound pressure ( $L_{pA}$ ). Conditions: Distance to the unit 5 metres. Directional factor: 2. Equivalent absorption area: 200 m<sup>2</sup>. At lowest/highest airflow.

\*4)  $\Delta t$  = temperature rise of passing air at maximum heat output and lowest/highest airflow.

\*5) Applicable at water temperature 60/40 °C, air temperature, in +18 °C.

\*6) Applicable at water temperature 80/60 °C, air temperature, in +18 °C.

\*7) Applicable at water temperature 40/30 °C, air temperature, in +18 °C.

Protection class for units with electrical heating: IP20.

Protection class for units without heating and units with water heating: IP21.

CE compliant.

## Technical specifications PA4200

Voltage motor: 230V~

### ✦ Ambient, no heat - PA4200 A

Type	Output [kW]	Airflow* <sup>1</sup> [m <sup>3</sup> /h]	Sound power* <sup>2</sup> [dB(A)]	Sound pressure* <sup>3</sup> [dB(A)]	Output motor [W]	Voltage motor [V]	Amperage motor [A]	Length [mm]	Weight [kg]
PA4210A	0	950/2400	82	46/66	920	230V~	4,0	1039	43
PA4215A	0	1300/3500	83	47/67	1260	230V~	5,5	1549	56
PA4220A	0	1900/4800	84	48/68	1840	230V~	8,0	2039	75
PA4225A	0	2300/5900	85	49/69	2140	230V~	9,3	2549	91

### ⚡ Electrical heat - PA4200 E

Type	Output step [kW]	Airflow* <sup>1</sup> [m <sup>3</sup> /h]	$\Delta t$ * <sup>4</sup> [°C]	Sound power* <sup>2</sup> [dB(A)]	Sound pressure* <sup>3</sup> [dB(A)]	Output motor [W]	Amperage motor [A]	Voltage [V] Amperage [A] (heat)	Length [mm]	Weight [kg]
PA4210E12	3,9/7,8/12	950/2400	38/15	82	46/66	920	4,0	400V3~/16,9	1039	50
PA4215E18	6,0/12/18	1300/3500	42/16	83	47/67	1260	5,5	400V3~/26,0	1549	71
PA4220E24	7,8/15/23	1900/4800	37/14	84	48/68	1840	8,0	400V3~/33,8	2039	94
PA4225E30	9,9/20/30	2300/5900	39/15	85	49/69	2140	9,3	400V3~/42,9	2549	113

### 💧 Water heat - PA4200 WL

Type	Output* <sup>5</sup> [kW]	Airflow* <sup>1</sup> [m <sup>3</sup> /h]	$\Delta t$ * <sup>4,5</sup> [°C]	Water volume [l]	Sound power* <sup>2</sup> [dB(A)]	Sound pressure* <sup>3</sup> [dB(A)]	Output motor [W]	Amperage motor [A]	Length [mm]	Weight [kg]
PA4210WL	16	1050/2600	25/18	1,9	80	44/64	920	4,0	1039	50
PA4215WL	25	1600/3800	25/19	3,0	81	45/65	1330	5,8	1549	67
PA4220WL	35	2200/5300	25/19	4,1	82	46/66	1930	8,4	2039	90
PA4225WL	44	2800/6400	26/20	5,2	83	47/67	2280	9,9	2549	109

### 💧 Water heat - PA4200 WH

Type	Output* <sup>6</sup> [kW]	Airflow* <sup>1</sup> [m <sup>3</sup> /h]	$\Delta t$ * <sup>4,6</sup> [°C]	Water volume [l]	Sound power* <sup>2</sup> [dB(A)]	Sound pressure* <sup>3</sup> [dB(A)]	Output motor [W]	Amperage motor [A]	Length [mm]	Weight [kg]
PA4210WH	14	1050/2600	22/16	1,3	80	44/64	920	4,0	1039	49
PA4215WH	21	1600/3800	22/16	2,0	81	45/65	1330	5,8	1549	65
PA4220WH	30	2200/5300	23/17	2,7	82	46/66	1930	8,4	2039	87
PA4225WH	36	2800/6400	22/16	3,8	83	47/67	2280	9,9	2549	105

### 💧 Water heat - PA4200 WLL

Type	Output* <sup>7</sup> [kW]	Airflow* <sup>1</sup> [m <sup>3</sup> /h]	$\Delta t$ * <sup>4,7</sup> [°C]	Water volume [l]	Sound power* <sup>2</sup> [dB(A)]	Sound pressure* <sup>3</sup> [dB(A)]	Output motor [W]	Amperage motor [A]	Length [mm]	Weight [kg]
PA4210WLL	10	1000/2500	15/12	2,5	80	44/64	920	4,0	1039	52
PA4215WLL	15	1500/3600	15/13	4,7	81	45/65	1330	5,8	1549	70
PA4220WLL	21	2100/5200	15/12	7,5	82	46/66	1930	8,4	2039	95
PA4225WLL	26	2700/6200	15/12	9,6	83	47/67	2280	9,9	2549	115

\*1) Lowest/highest airflow of totally 5 fan steps.

\*2) Sound power ( $L_{WA}$ ) measurements according to ISO 27327-2: 2014, Installation type E.

\*3) Sound pressure ( $L_{pA}$ ). Conditions: Distance to the unit 5 metres. Directional factor: 2. Equivalent absorption area: 200 m<sup>2</sup>. At lowest/highest airflow.

\*4)  $\Delta t$  = temperature rise of passing air at maximum heat output and lowest/highest airflow.

\*5) Applicable at water temperature 60/40 °C, air temperature, in +18 °C.

\*6) Applicable at water temperature 80/60 °C, air temperature, in +18 °C.

\*7) Applicable at water temperature 40/30 °C, air temperature, in +18 °C.

Protection class for units with electrical heating: IP20.

Protection class for units without heating and units with water heating: IP21.

CE compliant.

## Output charts water PA3500 WH

			Supply water temperature: 110 °C Room temperature: +18 °C Outlet air temperature: +35 °C*1				Water temperature: 110/80 °C Room temperature: +18 °C			
Type	Fan position	Airflow [m³/h]	Output [kW]	Return water temp. [°C]	Water flow [l/s]	Pressure drop [kPA]	Output*2 [kW]	Outlet air temp. [°C]	Water flow [l/s]	Pressure drop [kPA]
PA3510WH	max	1900	11,1	53	0,05	1,9	15,8	42,4	0,13	10,8
	min	950	5,6	42	0,02	0,4	10,3	49,8	0,085	5
PA3515WH	max	2900	16,8	53	0,07	1	24,6	42,9	0,02	6,4
	min	1350	8	43	0,03	0,2	15,3	51,2	0,13	2,7
PA3520WH	max	3900	23	50	0,09	2	34,1	43,6	0,3	14
	min	1800	10,4	37	0,03	0,4	21	52,2	0,2	5,8
PA3525WH	max	5100	29,1	50	0,12	1,2	43,9	43,2	0,36	8,6
	min	2300	13,7	40	0,05	0,3	26,7	52	0,22	3,5
			Supply water temperature: 90 °C Room temperature: +18 °C Outlet air temperature: +35 °C*1				Water temperature: 90/70 °C Room temperature: +18 °C			
Type	Fan position	Airflow [m³/h]	Output [kW]	Return water temp. [°C]	Water flow [l/s]	Pressure drop [kPA]	Output*2 [kW]	Outlet air temp. [°C]	Water flow [l/s]	Pressure drop [kPA]
PA3510WH	max	1900	11,0	58	0,09	5,3	12,9	37,9	0,16	15,9
	min	950	5,5	45	0,03	0,9	8,4	43,8	0,1	7,3
PA3515WH	max	2900	16,9	58	0,13	3,1	20	38,2	0,25	9,4
	min	1350	7,9	45	0,04	0,4	12,4	44,9	0,15	4
PA3520WH	max	3900	22	54	0,15	4,8	27,7	38,8	0,34	20,6
	min	1800	10,2	41	0,05	0,7	17	45,7	0,21	8,5
PA3525WH	max	5100	30,3	58	0,24	4,2	35,7	38,5	0,44	12,6
	min	2300	13,4	43	0,07	0,5	21,6	45,6	0,27	5,1
			Supply water temperature: 80 °C Room temperature: +18 °C Outlet air temperature: +35 °C*1				Water temperature: 80/60 °C Room temperature: +18 °C			
Type	Fan position	Airflow [m³/h]	Output [kW]	Return water temp. [°C]	Water flow [l/s]	Pressure drop [kPA]	Output*2 [kW]	Outlet air temp. [°C]	Water flow [l/s]	Pressure drop [kPA]
PA3510WH	max	1900	10,8	61	0,14	13,3	10,6	34,3	0,13	11,4
	min	950	5,5	48	0,04	1,6	6,9	39,2	0,08	5,3
PA3515WH	max	2900	16,7	61	0,22	7,8	16,4	34,6	0,2	6,7
	min	1350	7,6	46	0,05	0,7	10,2	40,1	0,12	2,8
PA3520WH	max	3900	23,2	61	0,3	17,1	22,8	35,1	0,28	14,7
	min	1800	10,4	44	0,07	1,3	10,4	40,8	0,17	6,1
PA3525WH	max	5100	29,9	61	0,39	10,5	29,3	34,8	0,36	9
	min	2300	13,6	46	0,1	0,9	17,8	40,7	0,22	3,7
			Supply water temperature: 82 °C Room temperature: +18 °C Outlet air temperature: +35 °C*1				Water temperature: 82/71 °C Room temperature: +18 °C			
Type	Fan position	Airflow [m³/h]	Output [kW]	Return water temp. [°C]	Water flow [l/s]	Pressure drop [kPA]	Output*2 [kW]	Outlet air temp. [°C]	Water flow [l/s]	Pressure drop [kPA]
PA3510WH	max	1900	11,0	62,0	0,14	12,3	12,5	37,3	0,28	44,9
	min	950	5,4	46	0,04	1,2	8,1	43	0,18	20,5
PA3515WH	max	2900	17,1	62	0,21	7,2	19,5	37,7	0,43	27,1
	min	1350	7,7	46	0,05	0,6	12,1	44,2	0,27	11,2
PA3520WH	max	3900	22,4	58	0,23	10,3	26,8	38,2	0,6	58,5
	min	1800	10,6	44	0,07	1,2	16,5	44,8	0,37	23,9
PA3525WH	max	5100	28,7	58	0,3	6,3	34,6	37,9	0,78	35,9
	min	2300	13,1	44	0,08	0,7	21	44,7	0,47	14,3

\*1) Recommended outlet air temperature for good comfort and optimized output.

\*2) Nominal output at given supply and return water temperature.

See [www.frico.se](http://www.frico.se) for additional calculations.

## Output charts water PA3500 WL

			Supply water temperature: 80 °C Room temperature: +18 °C Outlet air temperature: +35 °C*1				Water temperature: 80/60 °C Room temperature: +18 °C			
Type	Fan position	Airflow [m³/h]	Output [kW]	Return water temp. [°C]	Water flow [l/s]	Pressure drop [kPA]	Output*2 [kW]	Outlet air temp. [°C]	Water flow [l/s]	Pressure drop [kPA]
PA3510WL	max	1900	11,3	33	0,06	1,5	21,1	50,6	0,26	20,4
	min	950	5,6	29	0,03	0,4	13	58,2	0,16	8,5
PA3515WL	max	2900	16,9	30	0,08	1,9	33,5	51,9	0,4	32,8
	min	1350	8	27	0,04	0,5	19,4	60,2	0,24	12,2
PA3520WL	max	3900	23,2	31	0,11	1,4	45,3	52	0,55	22,8
	min	1800	10,6	28	0,05	0,3	26	60,3	0,32	8,4
PA3525WL	max	5100	30	29	0,14	2,5	59,7	52,3	0,73	45
	min	2300	13,2	25	0,06	0,5	33,7	60,9	0,41	15,9

			Supply water temperature: 70 °C Room temperature: +18 °C Outlet air temperature: +35 °C*1				Water temperature: 70/50 °C Room temperature: +18 °C			
Type	Fan position	Airflow [m³/h]	Output [kW]	Return water temp. [°C]	Water flow [l/s]	Pressure drop [kPA]	Output*2 [kW]	Outlet air temp. [°C]	Water flow [l/s]	Pressure drop [kPA]
PA3510WL	max	1900	11,3	35	0,08	2,5	16,7	43,7	0,2	13,6
	min	950	5,5	30	0,03	0,6	10,3	49,8	0,13	5,8
PA3515WL	max	2900	16,6	32	0,1	3	26,6	44,9	0,32	22
	min	1350	7,8	28	0,05	0,7	15,5	51,6	0,19	8,3
PA3520WL	max	3900	22	32	0,14	2,1	35,8	44,9	0,44	15,3
	min	1800	10,5	28	0,06	0,5	20,7	51,7	0,25	5,7
PA3525WL	max	5100	29,5	31	0,18	4	47,4	45,3	0,58	30,3
	min	2300	13,2	26	0,07	0,8	26,9	52,3	0,33	11

			Supply water temperature: 60 °C Room temperature: +18 °C Outlet air temperature: +35 °C*1				Water temperature: 60/40 °C Room temperature: +18 °C			
Type	Fan position	Airflow [m³/h]	Output [kW]	Return water temp. [°C]	Water flow [l/s]	Pressure drop [kPA]	Output*2 [kW]	Outlet air temp. [°C]	Water flow [l/s]	Pressure drop [kPA]
PA3510WL	max	1900	11,2	37	0,12	5,6	12,1	36,7	0,15	7,9
	min	950	5,5	31	0,05	1,1	7,6	41,3	0,09	3,4
PA3515WL	max	2900	16,8	35	0,16	6,6	19,5	37,7	0,24	13
	min	1350	8	30	0,06	1,3	11,5	42,9	0,14	5
PA3520WL	max	3900	22,4	35	0,22	4,5	26,2	37,7	0,32	9
	min	1800	10,3	30	0,08	0,8	15,3	42,9	0,19	3,4
PA3525WL	max	5100	30,4	35	0,29	9,3	35	38,1	0,42	18,1
	min	2300	13,5	28	0,1	1,5	20	43,5	0,24	6,7

			Supply water temperature: 55 °C Room temperature: +18 °C Outlet air temperature: +35 °C*1				Water temperature: 55/35 °C Room temperature: +18 °C			
Type	Fan position	Airflow [m³/h]	Output [kW]	Return water temp. [°C]	Water flow [l/s]	Pressure drop [kPA]	Output*2 [kW]	Outlet air temp. [°C]	Water flow [l/s]	Pressure drop [kPA]
PA3510WL	max	1900	11,2	39	0,18	10,7	9,8	33,1	0,12	5,5
	min	950	5,5	32	0,06	1,7	6,1	36,8	0,07	2,4
PA3515WL	max	2900	16,9	37	0,23	12,3	15,9	34,1	0,19	9,1
	min	1350	7,8	30	0,08	1,8	9,4	38,3	0,11	3,6
PA3520WL	max	3900	22,7	37	0,3	8,5	21,3	34	0,26	6,3
	min	1800	10,2	30	0,1	1,2	12,4	38,3	0,15	2,4
PA3525WL	max	5100	30,4	37	0,4	17,2	28,7	34,5	0,35	12,8
	min	2300	13,2	29	0,12	2,1	16,5	39	0,2	4,8

\*1) Recommended outlet air temperature for good comfort and optimized output.

\*2) Nominal output at given supply and return water temperature.

See [www.frico.se](http://www.frico.se) for additional calculations.

## Output charts water PA3500 WLL

			Supply water temperature: 55 °C Room temperature: +18 °C Outlet air temperature: +32 °C				Water temperature: 55/35 °C Room temperature: +18 °C			
Type	Fan position	Airflow [m³/h]	Output [kW]	Return water temp. [°C]	Water flow [l/s]	Pressure drop [kPA]	Output* [kW]	Outlet air temp. [°C]	Water flow [l/s]	Pressure drop [kPA]
PA3510WLL	max	1850	8,9	29,0	0,08	1,7	11,8	36,7	0,08	1,7
	min	900	4,4	28	0,04	0,5	6,9	40,5	0,04	0,5
PA3515WLL	max	2750	13,5	30	0,13	1	17,4	36,5	0,21	2,2
	min	1300	5,8	31	0,06	0,2	9,7	40,1	0,18	0,8
PA3520WLL	max	3700	17,7	27	0,16	1,6	17,7	38	0,3	5,1
	min	1700	8,2	27	0,07	0,4	8,2	42	0,17	1,8
PA3525WLL	max	4900	23,5	28	0,21	1,6	32,7	37,6	0,4	4,8
	min	2250	11	28	0,1	0,4	18,1	41,6	0,22	1,7

			Supply water temperature: 50 °C Room temperature: +18 °C Outlet air temperature: +32 °C				Water temperature: 50/30 °C Room temperature: +18 °C			
Type	Fan position	Airflow [m³/h]	Output [kW]	Return water temp. [°C]	Water flow [l/s]	Pressure drop [kPA]	Output* [kW]	Outlet air temp. [°C]	Water flow [l/s]	Pressure drop [kPA]
PA3510WLL	max	1850	9,0	30	0,11	2,7	8,9	32	0,11	2,6
	min	900	4,3	28	0,05	0,6	5,1	34,7	0,06	1
PA3515WLL	max	2750	12,9	30	0,16	1,3	12,7	31,5	0,15	1,3
	min	1300	6,2	30	0,07	0,4	6,5	32,8	0,08	0,4
PA3520WLL	max	3700	17,6	28	0,2	2,4	19,2	33,2	0,23	3,2
	min	1700	8,4	27	0,09	0,6	10,6	36,2	0,13	1,2
PA3525WLL	max	4900	22,6	28	0,25	2,2	24,8	32,8	0,3	3
	min	2250	10,9	27	0,12	0,6	13,6	35,8	0,16	1

			Supply water temperature: 45 °C Room temperature: +18 °C Outlet air temperature: +32 °C				Water temperature: 45/35 °C Room temperature: +18 °C			
Type	Fan position	Airflow [m³/h]	Output [kW]	Return water temp. [°C]	Water flow [l/s]	Pressure drop [kPA]	Output* [kW]	Outlet air temp. [°C]	Water flow [l/s]	Pressure drop [kPA]
PA3510WLL	max	1850	9,1	32,0	0,17	5,9	10,2	34,2	0,25	11,4
	min	900	4,4	29	0,07	1,2	5,9	37,2	0,14	4,4
PA3515WLL	max	2750	13,5	32	0,25	3	15,4	34,4	0,37	6
	min	1300	6,3	30	0,1	0,6	8,5	37,5	0,2	2,1
PA3520WLL	max	3700	18,1	30	0,3	5,1	21,6	35,1	0,52	13,6
	min	1700	8,1	27	0,11	0,9	11,8	38,3	0,29	4,7
PA3525WLL	max	4900	23,4	30	0,39	4,7	28,2	34,9	0,68	12,8
	min	2250	11,1	28	0,16	1	15,4	38,1	0,37	4,4

			Supply water temperature: 40 °C Room temperature: +18 °C Outlet air temperature: +32 °C				Water temperature: 40/30 °C Room temperature: +18 °C			
Type	Fan position	Airflow [m³/h]	Output [kW]	Return water temp. [°C]	Water flow [l/s]	Pressure drop [kPA]	Output* [kW]	Outlet air temp. [°C]	Water flow [l/s]	Pressure drop [kPA]
PA3510WLL	max	1850	8,9	34	0,35	21,0	7,6	30	0,18	6,9
	min	900	4,4	30	0,11	2,7	4,4	32,4	0,11	2,7
PA3515WLL	max	2750	12,8	32	0,41	7,4	11,3	30	0,27	3,5
	min	1300	6,2	30	0,15	1,2	6,2	32,2	0,15	1,2
PA3520WLL	max	3700	17,9	32	0,58	16,6	16,1	30,8	0,39	8,3
	min	1700	8,3	29	0,18	2,1	8,9	33,3	0,21	2,9
PA3525WLL	max	4900	23,4	32	0,75	15,6	21	30,6	0,51	7,7
	min	2250	10,7	29	0,23	1,9	11,6	33,1	0,28	2,7

\*1) Recommended outlet air temperature for good comfort and optimized output.

\*2) Nominal output at given supply and return water temperature.

See [www.frico.se](http://www.frico.se) for additional calculations.

## Output charts water PA4200 WH

			Supply water temperature: 110 °C Room temperature: +18 °C Outlet air temperature: +35 °C*1				Water temperature: 110/80 °C Room temperature: +18 °C			
Type	Fan position	Airflow [m³/h]	Output [kW]	Return water temp. [°C]	Water flow [l/s]	Pressure drop [kPA]	Output*2 [kW]	Outlet air temp. [°C]	Water flow [l/s]	Pressure drop [kPA]
PA4210WH	max	2600	15,1	53	0,06	3,9	21,2	41,9	0,17	22,1
	min	1050	6,1	37	0,02	0,5	12,1	51,6	0,10	8
PA4215WH	max	3800	21,7	53	0,09	1,2	31,7	42,4	0,26	7,6
	min	1600	9,1	42	0,03	0,2	18,5	51,8	0,15	2,8
PA4220WH	max	5300	30,2	50	0,12	2,4	44,9	42,8	0,37	17,1
	min	2200	12,7	37	0,04	0,4	25,9	52,5	0,21	6,3
PA4225WH	max	6400	36,2	53	0,16	0,6	54	42,7	0,44	4
	min	2800	16,3	44	0,06	0,1	32,2	51,7	0,27	1,6
			Supply water temperature: 90 °C Room temperature: +18 °C Outlet air temperature: +35 °C*1				Water temperature: 90/70 °C Room temperature: +18 °C			
Type	Fan position	Airflow [m³/h]	Output [kW]	Return water temp. [°C]	Water flow [l/s]	Pressure drop [kPA]	Output*2 [kW]	Outlet air temp. [°C]	Water flow [l/s]	Pressure drop [kPA]
PA4210WH	max	2600	14,7	58	0,11	11,0	17,2	37,4	0,21	32,4
	min	1050	6,0	41	0,03	1,1	9,8	45,3	0,12	11,7
PA4215WH	max	3800	21,7	58	0,17	3,6	25,7	37,9	0,32	11,3
	min	1600	9,5	45	0,05	0,4	15	45,4	0,18	4,2
PA4220WH	max	5300	31,1	58	0,24	8,3	36,4	38,1	0,45	25,1
	min	2200	12,6	41	0,06	0,8	21	45,9	0,26	9,2
PA4225WH	max	6400	36,8	58	0,29	1,9	43,9	38,1	0,54	6
	min	2800	15,9	45	0,09	0,2	26,1	45,4	0,32	2,3
			Supply water temperature: 80 °C Room temperature: +18 °C Outlet air temperature: +35 °C*1				Water temperature: 80/60 °C Room temperature: +18 °C			
Type	Fan position	Airflow [m³/h]	Output [kW]	Return water temp. [°C]	Water flow [l/s]	Pressure drop [kPA]	Output*2 [kW]	Outlet air temp. [°C]	Water flow [l/s]	Pressure drop [kPA]
PA4210WH	max	2600	15,2	65	0,25	44,5	14,2	34	0,17	23,4
	min	1050	6,0	44	0,04	1,9	8,1	40,5	0,10	8,5
PA4215WH	max	3800	21,5	61	0,28	9,3	21,1	34,3	0,26	8
	min	1600	9,2	46	0,07	0,7	12,3	40,5	0,15	3
PA4220WH	max	5300	30,5	61	0,40	20,9	30	34,6	0,37	18
	min	2200	12,8	44	0,09	1,4	17,3	41	0,21	6,6
PA4225WH	max	6400	36,7	61	0,48	4,9	35,9	34,4	0,44	4,2
	min	2800	16,6	48	0,13	0,5	21,4	40,4	0,26	1,7
			Supply water temperature: 82 °C Room temperature: +18 °C Outlet air temperature: +35 °C*1				Water temperature: 82/71 °C Room temperature: +18 °C			
Type	Fan position	Airflow [m³/h]	Output [kW]	Return water temp. [°C]	Water flow [l/s]	Pressure drop [kPA]	Output*2 [kW]	Outlet air temp. [°C]	Water flow [l/s]	Pressure drop [kPA]
PA4210WH	max	2600	14,8	62	0,18	25,1	16,6	36,7	0,37	91,4
	min	1050	6,1	44	0,04	1,8	9,4	44,3	0,21	32,5
PA4215WH	max	3800	22,0	62	0,27	8,6	25,1	37,4	0,56	32,5
	min	1600	9,3	46	0,06	0,7	14,6	44,7	0,32	11,9
PA4220WH	max	5300	31,3	62	0,38	19,3	35,3	37,5	0,79	71,9
	min	2200	12,4	42	0,08	1,1	20,3	45	0,45	25,9
PA4225WH	max	6400	37,5	62	0,46	4,5	42,9	37,7	0,96	17,2
	min	2800	15,8	46	0,11	0,4	25,5	44,7	0,57	6,6

\*1) Recommended outlet air temperature for good comfort and optimized output.

\*2) Nominal output at given supply and return water temperature.

See [www.frico.se](http://www.frico.se) for additional calculations.



## Output charts water PA4200 WL

			Supply water temperature: 80 °C Room temperature: +18 °C Outlet air temperature: +35 °C*1				Water temperature: 80/60 °C Room temperature: +18 °C			
Type	Fan position	Airflow [m³/h]	Output [kW]	Return water temp. [°C]	Water flow [l/s]	Pressure drop [kPA]	Output*2 [kW]	Outlet air temp. [°C]	Water flow [l/s]	Pressure drop [kPA]
PA4210WL	max	2600	14,9	31	0,07	2,7	28,4	50	0,35	42
	min	1050	6,0	26	0,03	0,5	15	59,9	0,18	13,3
PA4215WL	max	3800	21,7	30	0,11	2,2	43,3	51,4	0,53	38,4
	min	1600	9,5	27	0,04	0,5	23,3	60,7	0,29	12,5
PA4220WL	max	5300	31,4	31	0,15	2,0	60,1	51,2	0,73	31,9
	min	2200	12,8	27	0,06	0,4	32,1	60,7	0,39	10,2
PA4225WL	max	6400	36,6	28	0,17	2,9	75	52,3	0,92	56,7
	min	2800	16,3	24	0,07	0,6	41,4	61,3	0,51	19,2
			Supply water temperature: 70 °C Room temperature: +18 °C Outlet air temperature: +35 °C*1				Water temperature: 70/50 °C Room temperature: +18 °C			
Type	Fan position	Airflow [m³/h]	Output [kW]	Return water temp. [°C]	Water flow [l/s]	Pressure drop [kPA]	Output*2 [kW]	Outlet air temp. [°C]	Water flow [l/s]	Pressure drop [kPA]
PA4210WL	max	2600	14,9	33	0,10	4,6	22,5	43,4	0,27	28,2
	min	1050	6,1	28	0,03	0,8	12	51,4	0,15	9,1
PA4215WL	max	3800	22,1	32	0,14	3,8	34,3	44,4	0,42	25,7
	min	1600	9,4	28	0,05	0,7	18,6	52,1	0,23	8,5
PA4220WL	max	5300	31,4	33	0,21	3,5	47,6	44,3	0,58	21,4
	min	2200	12,7	28	0,07	0,6	25,6	52,1	0,31	7
PA4225WL	max	6400	36,4	30	0,22	4,7	59,7	45,3	0,73	38,3
	min	2800	15,8	25	0,09	0,9	33,1	52,7	0,40	13,2
			Supply water temperature: 60 °C Room temperature: +18 °C Outlet air temperature: +35 °C*1				Water temperature: 60/40 °C Room temperature: +18 °C			
Type	Fan position	Airflow [m³/h]	Output [kW]	Return water temp. [°C]	Water flow [l/s]	Pressure drop [kPA]	Output*2 [kW]	Outlet air temp. [°C]	Water flow [l/s]	Pressure drop [kPA]
PA4210WL	max	2600	15,4	37	0,17	11,8	16,5	36,6	0,20	16,6
	min	1050	6,2	30	0,05	1,4	8,9	42,7	0,11	5,5
PA4215WL	max	3800	21,6	35	0,21	7,6	25,2	37,4	0,31	15
	min	1600	9,2	29	0,07	1,2	13,8	43,2	0,17	5,1
PA4220WL	max	5300	29,9	35	0,29	6,3	34,9	37,3	0,42	12,6
	min	2200	13,1	30	0,10	1,1	18,9	43,2	0,23	4,2
PA4225WL	max	6400	36,8	33	0,34	10,0	44,1	38,2	0,54	22,8
	min	2800	16,3	28	0,12	1,7	24,7	43,9	0,30	8,1
			Supply water temperature: 55 °C Room temperature: +18 °C Outlet air temperature: +35 °C*1				Water temperature: 55/35 °C Room temperature: +18 °C			
Type	Fan position	Airflow [m³/h]	Output [kW]	Return water temp. [°C]	Water flow [l/s]	Pressure drop [kPA]	Output*2 [kW]	Outlet air temp. [°C]	Water flow [l/s]	Pressure drop [kPA]
PA4210WL	max	2600	15,2	39	0,23	22,3	13,4	33,1	0,16	11,7
	min	1050	6,0	30	0,06	2,0	7,2	38,2	0,09	3,9
PA4215WL	max	3800	21,8	37	0,29	14,2	20,5	33,8	0,25	10,5
	min	1600	9,3	30	0,09	1,8	11,3	38,6	0,14	3,6
PA4220WL	max	5300	30,2	37	0,41	11,9	28,4	33,7	0,34	8,8
	min	2200	12,8	30	0,13	1,5	15,5	38,6	0,19	3
PA4225WL	max	6400	37,1	36	0,47	18,4	36,2	34,6	0,44	16,2
	min	2800	16,5	29	0,15	2,6	20,4	39,3	0,25	5,8

\*1) Recommended outlet air temperature for good comfort and optimized output.

\*2) Nominal output at given supply and return water temperature.

See [www.frico.se](http://www.frico.se) for additional calculations.

## Output charts water PA4200 WLL

			Supply water temperature: 55 °C Room temperature: +18 °C Outlet air temperature: +32 °C				Water temperature: 55/35 °C Room temperature: +18 °C			
Type	Fan position	Airflow [m³/h]	Output [kW]	Return water temp. [°C]	Water flow [l/s]	Pressure drop [kPA]	Output* [kW]	Outlet air temp. [°C]	Water flow [l/s]	Pressure drop [kPA]
PA4210WLL	max	2500	12,0	29	0,11	2,0	15,7	36,5	0,19	4,9
	min	1000	4,8	28	0,04	0,4	7,9	41,3	0,10	1,5
PA4215WLL	max	3600	17,2	27	0,15	2,0	24,3	37,8	0,29	6,4
	min	1500	7,4	27	0,06	0,5	12,5	42,4	0,15	2
PA4220WLL	max	5200	25,1	29	0,23	1,6	33,3	36,8	0,40	4,2
	min	2100	9,0	29	0,08	0,3	16,7	41,3	0,20	1,2
PA4225WLL	max	6200	29,5	28	0,26	1,7	41,3	37,5	0,50	5,3
	min	2700	13,9	28	0,13	0,5	21,9	41,8	0,27	1,7
			Supply water temperature: 50 °C Room temperature: +18 °C Outlet air temperature: +32 °C				Water temperature: 50/30 °C Room temperature: +18 °C			
Type	Fan position	Airflow [m³/h]	Output [kW]	Return water temp. [°C]	Water flow [l/s]	Pressure drop [kPA]	Output* [kW]	Outlet air temp. [°C]	Water flow [l/s]	Pressure drop [kPA]
PA4210WLL	max	2500	12,0	30	0,15	3,2	11,9	31,9	0,14	3,1
	min	1000	4,9	28	0,05	0,6	5,9	35,3	0,07	0,9
PA4215WLL	max	3600	17,0	28	0,19	3,1	18,6	33,1	0,22	4,1
	min	1500	7,2	26	0,07	0,6	9,5	36,6	0,12	1,3
PA4220WLL	max	5200	25,3	30	0,31	2,7	24,9	32,1	0,30	2,6
	min	2100	10,0	28	0,11	0,5	12,2	35	0,15	0,7
PA4225WLL	max	6200	30,1	29	0,35	2,9	31,3	32,8	0,38	3,3
	min	2700	12,8	27	0,14	0,6	16,4	35,8	0,20	1
			Supply water temperature: 45 °C Room temperature: +18 °C Outlet air temperature: +32 °C				Water temperature: 45/35 °C Room temperature: +18 °C			
Type	Fan position	Airflow [m³/h]	Output [kW]	Return water temp. [°C]	Water flow [l/s]	Pressure drop [kPA]	Output* [kW]	Outlet air temp. [°C]	Water flow [l/s]	Pressure drop [kPA]
PA4210WLL	max	2500	12,2	32	0,23	6,9	13,7	34	0,33	13,4
	min	1000	4,8	28	0,07	0,9	6,8	37,9	0,16	3,9
PA4215WLL	max	3600	17,4	30	0,29	6,4	20,8	34,9	0,50	17
	min	1500	7,3	27	0,10	1,0	10,5	38,5	0,25	5,1
PA4220WLL	max	5200	25,7	32	0,48	5,8	29	34,3	0,70	11,5
	min	2100	10,1	28	0,15	0,7	14,4	38,1	0,35	3,3
PA4225WLL	max	6200	29,6	30	0,49	5,2	35,6	34,8	0,86	14,4
	min	2700	13,3	28	0,19	1,0	18,7	38,3	0,45	4,5
			Supply water temperature: 40 °C Room temperature: +18 °C Outlet air temperature: +32 °C				Water temperature: 40/30 °C Room temperature: +18 °C			
Type	Fan position	Airflow [m³/h]	Output [kW]	Return water temp. [°C]	Water flow [l/s]	Pressure drop [kPA]	Output* [kW]	Outlet air temp. [°C]	Water flow [l/s]	Pressure drop [kPA]
PA4210WLL	max	2500	11,9	34,0	0,46	24,6	10,1	29,9	0,24	8
	min	1000	4,7	29,0	0,10	1,7	5,1	32,8	0,12	2,4
PA4215WLL	max	3600	17,2	32,0	0,55	20,7	15,5	30,6	0,37	10,4
	min	1500	7,4	29,0	0,16	2,3	7,9	33,5	0,19	3,2
PA4220WLL	max	5200	24,1	32,0	0,77	14,1	21,4	30,1	0,52	6,8
	min	2100	9,8	29,0	0,21	1,4	10,7	32,9	0,26	2
PA4225WLL	max	6200	29,6	32,0	0,95	17,6	26,5	30,5	0,64	8,6
	min	2700	13,0	29,0	0,28	1,9	14	33,2	0,34	2,7

\*1) Recommended outlet air temperature for good comfort and optimized output.

\*2) Nominal output at given supply and return water temperature.

See [www.frico.se](http://www.frico.se) for additional calculations.

## Instrukcja montażu i obsługi

### Zalecenia ogólne

Przed rozpoczęciem montażu i eksploatacji należy uważnie przeczytać niniejszą instrukcję obsługi. Instrukcję należy zatrzymać do przyszłych konsultacji.

*Produkt może być używany tylko zgodnie z zaleceniami podanymi w instrukcji montażu i obsługi. Produkt podlega gwarancji wtedy i tylko wtedy, gdy jest eksploatowany zgodnie z jego przeznaczeniem i instrukcją.*

### Zastosowanie

Model PA3500 jest przeznaczony do wejść i mniejszych bram o wysokości maks. 3,5 m. Natomiast model PA4200 jest przeznaczony do większych bram oraz bram przemysłowych o wysokości maks. 4,2 m.

Kurtyna powietrzna występuje w wersji zimnej, z grzałkami elektrycznymi i wymiennikiem wodnym.

Stopień ochrony urządzeń z grzałkami elektrycznymi: IP20.

Stopień ochrony dla urządzeń bez ogrzewania i urządzeń z wymiennikiem wodnym: IP21.

### Praca

Powietrze jest zasysane z góry/ z tyłu urządzenia i wydmuchiwane na dół/ do przodu, tworząc ekran powietrzny wzdłuż płaszczyzny drzwi i minimalizując straty ciepła. Największą sprawność uzyskuje się, gdy kurtyna pokrywa całą wysokość/ szerokość otworu.

Kratka wylotowa do sterowania strumieniem powietrza posiada regulację i aby zapewnić jak najlepszą ochronę przed napływającym powietrzem, zazwyczaj kieruje się ją na zewnątrz.

Efektywność kurtyny powietrznej zależy od różnicy temperatur i ciśnień w obszarze wejściowym oraz od naporu wiatru.

**UWAGA! Podciśnienie w budynku znacznie obniża sprawność kurtyny powietrznej. Dlatego należy odpowiednio zbilansować wentylację!**

### Montaż

Kurtyny powietrzne można dostosować do montażu pionowego i poziomego, a także w zabudowie w suficie podwieszanym.

#### Montaż poziomy

Kurtynę powietrzną montuje się poziomo z kratką nadmuchową skierowaną w dół, tak blisko drzwi, jak to możliwe. Minimalna odległość od wylotu do podłogi w przypadku urządzeń z grzałkami elektrycznymi wynosi 1800 mm. Pozostałe minimalne odległości, patrz Rys. 3.

W celu zabezpieczenia szerszych wejść można zastosować zestaw łączący, aby zamontować kilka urządzeń obok siebie (Rys. 9).

Aby nadać całości estetyczny wygląd można zastosować ścienny lub sufitowy zestaw maskownic, który pozwala ukryć przewody, rury i mocowania.

#### Montaż przy użyciu uchwytów ściennych PA34WB (Rys. 6)

1. Zdejmij plastikowe nakładki z uchwytów ściennych. (Rys. 6A)
2. Przymocuj uchwyty do ściany, zachowując wymiary podane na Rys. 6B.
3. Wkręć śruby z łbem młotkowym w otwory M8 w urządzeniu. (Rys. 5 i 6C)
4. Zablockuj nakrętki, aby śruby z łbem młotkowym wystawały na 20 mm. Zwróć uwagę na kierunek łbów śrub. (Rys. 6C)
5. Nasuń urządzenie na uchwyty. (Rys. 6D)
6. Dokręć nakrętki do uchwytu i ponownie załóż plastikowe nakładki. (Rys. 6E)

#### Montaż poziomy pod sufitem

Pręty gwintowane, zestawy linek do montażu podwieszanego i uchwyty sufitowe są dostępne jako wyposażenie dodatkowe, patrz Rys. 7 i 8 oraz oddzielne instrukcje.

#### Montaż poziomy w zabudowie w sufitach podwieszanych.

Przedłużenie wylotu używane do montażu w zabudowie jest dostępne jako wyposażenie dodatkowe, patrz Rys. 10 i oddzielna instrukcja.

## Zestaw do montażu pionowego PA3JK

Urządzenia o długości 1,5 i dłuższe mogą być używane w pionie. W takim przypadku urządzenia muszą zostać uzupełnione zestawem do montażu pionowego, który zawiera wszystkie elementy potrzebne do praktycznego montażu urządzeń podłogowych.

Urządzenie można odwrócić i umieścić po dowolnej stronie wejścia. Złącza i karta PC SIRE znajdują się przy poziomie podłogi, kiedy kurtyna powietrzna zostanie ustawiona po lewej stronie wejścia, oraz na górze w przypadku ustawienia jej po prawej stronie (patrz od środka).

Dołączoną listwę podłogową mocuje się do podłogi za pomocą mocowań odpowiednich do danego podłoża.

Dwa urządzenia mogą zostać zamontowane bezpośrednio jedno na drugim – listwa podłogowa pełni wtedy rolę uchwytu łączącego.

Kurtynę powietrzną należy przymocować do ściany lub sufitu.

Zestaw maskownic, który nadaje całości estetyczny wygląd, ukrywając przewody i rury, jest dostępny jako wyposażenie dodatkowe, patrz strony z wyposażeniem dodatkowym. Patrz Rys. 11 i oddzielna instrukcja.

## Podłączenie elektryczne

Kurtyna powinna być izolowana elektrycznie za pomocą wyłącznika wielobiegunowego o minimalnym odstępem między stykami 3 mm. Urządzenie powinno być podłączane tylko przez wykwalifikowanego elektryka, zgodnie z obowiązującymi przepisami elektrycznymi. Układ sterowania jest instalowany fabrycznie w kurtynie powietrznej ze zintegrowaną kartą sterującą (patrz Rys. 2)

Układ SIRE jest dostarczany z ustawieniami fabrycznymi i szybkozłączami.

Kable modułowe podłącza się do karty sterującej. Patrz instrukcja do układu SIRE.

### Urządzenie bez ogrzewania lub z wymiennikiem wodnym

Podłączane przez wbudowaną kartę sterującą SIRE za pomocą 2-metrowego przewodu z wtyczką.

### Urządzenie z grzałkami elektrycznymi

Podłączenie elektryczne wykonuje się na górnej ścianie (montaż w poziomie) lub z tyłu (montaż w pionie) urządzenia. Napięcie sterujące wynosi 230V~, a przewód biegnie od wbudowanej karty sterującej SIRE. Zasilanie grzałek (400V3~) jest podłączone do listwy zaciskowej w wewnętrznej skrzynce zaciskowej. Urządzenia o długości 2 m i większej wymagają podwójnego zasilania.

Największa średnica przewodu podłączanego do listwy zaciskowej wynosi 16 mm<sup>2</sup>. Użyte dławiki kablowe muszą zapewniać wymagany stopień ochrony. Na tablicy rozdzielczej należy umieścić ostrzeżenie: „Kurtyny powietrze mogą być zasilane z kilku źródeł”.

Patrz schematy elektryczne.

Typ	Moc [kW]	Napięcie [V]	Min. przekrój przewodu* [mm <sup>2</sup> ]
<b>Sterowanie</b>	0	230V~	1,5
<b>PA3510E08</b>	8	400V3~	2,5
<b>PA3515E12</b>	12	400V3~	4
<b>PA4210E12</b>	12	400V3~	4
<b>PA4215E18</b>	18	400V3~	10
<b>PA3520E16</b> *1	8	400V3~	2,5
	8	400V3~	2,5
<b>PA3525E20</b> *1	8	400V3~	2,5
	12	400V3~	4
<b>PA4220E24</b> *1	12	400V3~	4
	12	400V3~	4
<b>PA4225E30</b> *1	12	400V3~	4
	18	400V3~	10

\*1) Urządzenia o długości 2 m i 2,5 m podłącza się do dwóch źródeł zasilania, patrz str. 2.

Urządzenia o długości 2,5 m są wyposażone w dwie grzałki elektryczne o różnej mocy, natomiast największą moc ma grzałka elektryczna po lewej stronie w urządzeniu poziomym, patrząc od wnętrza pomieszczenia.\*2) Wymiarowanie zewnętrznego okablowania powinno spełniać obowiązujące przepisy. Dopuszcza się lokalne odchylenia.

## Uruchamianie (E)

Przy pierwszym użyciu lub po długim okresie przerwy w eksploatacji urządzenia może pojawić się dym lub nieokreślony zapach z powodu nagromadzenia się kurzu lub zanieczyszczeń na elemencie grzejnym. To całkowicie normalne zjawisko, które ustąpi po krótkim czasie.

## **Podłączanie wymiennika wodnego (W)**

Instalacja powinna zostać wykonana przez osobę posiadającą odpowiednie uprawnienia.

Wymiennik wodny kurtyny składa się z aluminiowych radiatorów oraz wężownicy miedzianej. Wymiennik jest przystosowany do podłączania tylko do zamkniętych układów hydraulicznych. Stalowa rura przyłączeniowa. Wężownicy grzejnej nie wolno podłączać do ciśnieniowych ani otwartych układów hydraulicznych.

Przed urządzeniem należy zainstalować zawór sterujący, patrz zestaw zaworów firmy Frico.

Wymiennik wodny podłącza się na wierzchu (montaż poziomy) lub z tyłu (montaż pionowy) urządzenia, wykorzystując króćce DN20 (3/4") o gwincie zewnętrznym. Przewody elastyczne są dostępne jako wyposażenie dodatkowe.

Podłączenia wężownicy grzejnej powinny być wyposażone w zawory odcinające (zawarte w zestawach zaworów firmy Frico), umożliwiające swobodny demontaż.

W najwyższym punkcie instalacji rurowej należy zainstalować zawór odpowietrzający. Zawory powietrzne nie znajdują się na wyposażeniu.

W przypadku montażu pionowego i dolnego przyłącza wody, odpowietrzenie wężownicy w urządzeniu jest niemożliwe. Przed rozruchem należy upewnić się, że wymiennik wodny został napełniony wodą i odpowietrzony. Patrz Rys. 4. Zalecamy zastosowanie trójnika i zaworów odcinających. Mogą występować małe pęcherzyki powietrza, które znikną podczas normalnej pracy. UWAGA: Zachować ostrożność przy podłączaniu wymiennika. Należy użyć drugiego klucza do zablokowania króćca aby uniknąć jego przekręcenia i ewentualnej nieszczelności podłączenia.

## **Regulacja kurtyny powietrznej i strumienia powietrza**

Kierunek i prędkość przepływu powietrza należy wyregulować odpowiednio do różnicy temperatur, różnicy ciśnień i naporu wiatru zabezpieczanego wejścia. Podciśnienie sprawia, że powietrze napływa do budynku, kiedy budynek jest ogrzewany, a temperatura zewnętrzna jest niska.

Dlatego należy skierować strumień na zewnątrz, aby stawiał opór naporowi powietrza zewnętrznego. Generalnie im napór jest większy, tym większy należy ustawić kąć.

## **Podstawowa regulacja prędkości wentylatorów**

Prędkość wentylatora przy otwartych drzwiach ustawia się za pomocą regulatora. Należy pamiętać, że kierunek strumienia powietrza i prędkość wentylatora mogą wymagać dodatkowej regulacji, zależnie od naporu powietrza zewnętrznego na wejście.

## **Filtr (W)**

Wymiennik wodny jest chroniony przed brudem i zapchaniem przez filtr powietrza, który przykrywa powierzchnię wymiennika. W warunkach, gdzie filtr wymaga częstego czyszczenia, zaleca się stosowanie filtra zewnętrznego czerpni (patrz wyposażenie dodatkowe), który umożliwia łatwiejszą konserwację, ponieważ nie wymaga otwierania urządzenia.

## **Serwis, naprawy i konserwacja**

Przy wszystkich pracach serwisowych, naprawczych i konserwacyjnych przede wszystkim:

1. Odłącz zasilanie.
2. Odkręć wkręty i unieś przedni panel. Przód blokuje się w pozycji otwartej za pomocą zaczepu przedniej pokrywy (patrz Rys. 1A) albo całkowicie demontuje (patrz Rys. 1B). Aby zdjąć pokrywę serwisową, należy odkręcić wkręty mocujące.
3. Po zakończeniu serwisowania, naprawy i konserwacji należy zamocować pokrywę serwisową i przód. Po zdjęciu przodu należy koniecznie upewnić się, że został dobrze ponownie zamocowany w przednich zaczepach (patrz Rys. 1B).

## Konserwacja

### Urządzenie z wymiennikiem wodnym:

Filtr urządzenia należy regularnie czyścić, aby zapewnić skuteczność kurtyny powietrznej oraz umożliwić emisję ciepła przez urządzenie. Częstotliwość zależy od warunków lokalnych. Zapchany filtr nie stwarza zagrożenia, choć może niekorzystnie wpływać na działanie urządzenia.

1. Odłącz zasilanie.
2. Odkręć wkręty i unieś przedni panel. Przód blokuje się w pozycji otwartej za pomocą zaczepu przedniej pokrywy (patrz Rys. 1A).
3. Wyjmij filtr, a następnie odkurz go lub wypierz. Jeśli filtr jest zapchany lub uszkodzony, może wymagać wymiany.

### Wszystkie urządzenia:

Ponieważ silniki wentylatorów i inne podzespoły są bezobsługowe, nie jest wymagana żadna inna konserwacja poza czyszczeniem. Zakres czyszczenia zależy od warunków lokalnych. Czyszczenie należy przeprowadzać co najmniej dwa razy w roku. Kratkę wlotową i wylotową, wirniki i pozostałe elementy można czyścić odkurzaczem lub wycierać wilgotną szmatką. Podczas odkurzania należy używać szczotki, aby nie uszkodzić delikatnych części. Nie wolno stosować silnych środków alkalicznych ani kwasowych.

## Przegrzanie

Kurtyna powietrzna z grzałkami elektrycznymi jest wyposażona w zabezpieczenie przed przegrzaniem. Jeśli zabezpieczenie zadziała w wyniku przegrzania, należy je zresetować w następujący sposób:

1. Odłącz zasilanie za pomocą całkowicie izolowanego wyłącznika.
2. Oczekaj, aż grzałki ostygną.
3. Ustal przyczynę przegrzania i usuń usterkę.
4. Ponownie podłącz kurtynę powietrzną.

Wszystkie silniki są wyposażone w zintegrowany termiczny wyłącznik bezpieczeństwa, który zadziała, wyłączając kurtynę powietrzną, jeśli temperatura silnika nadmiernie wzrośnie. Wyłącznik automatycznie zresetuje się, kiedy temperatura silnika powróci do dozwolonego zakresu.

## Regulacja temperatury

Regulacja temperatury układu SIRE utrzymuje temperaturę wywiewu na. Każde przekroczenie temperatury spowoduje alarm przegrzania. Dodatkowe informacje zawiera instrukcja układu SIRE.

## Wymiana wentylatora

1. Ustal, który wentylator nie działa.
2. Odłącz okablowanie od właściwego wentylatora.
3. Wykręć śruby mocujące wentylator i wyjmij go z kurtyny.
4. Zainstaluj nowy wentylator, wykonując powyższe czynności w odwrotnej kolejności.

## Wymiana grzałki elektrycznej (E)

1. Oznacz i odłącz przewody sekcji grzałek elektrycznych.
2. Wykręć śruby mocujące sekcję grzałek elektrycznych w urządzeniu, po czym wyjmij ją z obudowy.
3. Wymień wadliwą grzałkę elektryczną.
4. Zamontuj sekcję grzałek elektrycznych, powtarzając powyższe czynności w odwrotnej kolejności.

## Wymiana wymiennika wodnego (W)

1. Odetnij dopływ wody do urządzenia.
2. Odłącz przyłącza wymiennika wodnego.
3. Wykręć śruby mocujące wymiennik w urządzeniu, po czym wyjmij go z obudowy.
4. Zamontuj nowy wymiennik, powtarzając powyższe czynności w odwrotnej kolejności.

## Rozwiązywanie problemów

Jeśli wentylator nie działa lub działa nieprawidłowo, sprawdź następujące punkty:

- Czy kratka wlotowa/ filtr nie są brudne?
- Sprawdź działanie i ustawienia układu sterowania SIRE, patrz instrukcja układu SIRE.

Jeśli nie działa funkcja grzania, należy sprawdzić następujące elementy:

- Sprawdź działanie i ustawienia układu sterowania SIRE, patrz instrukcja układu SIRE.

W kurtynach z grzałkami elektrycznymi sprawdź ponadto:

- Zasilanie grzałek elektrycznych, bezpieczniki i wyłącznik (jeśli występują).
- Czy nie zadziałało zabezpieczenie termiczne silników?

W kurtynach z wymiennikiem wodnym sprawdź ponadto:

- Czy wymiennik wodny jest odpowietrzony?
- Czy jest wystarczający przepływ czynnika grzewczego?
- Czy temperatura czynnika grzewczego jest wystarczająca?

Jeśli usterki nie można usunąć, należy skontaktować się z wykwalifikowanym serwisantem.

## Wyłącznik przeciwporażeniowy różnicowo-prądowy (E)

Jeśli instalacja jest zabezpieczona wyłącznikiem przeciwporażeniowym różnicowo-prądowym, który załącza się po podłączeniu urządzenia, przyczyną może być wilgotny element grzejny. Jeśli urządzenie zawierające element grzejny nie było używane przez dłuższy okres czasu i jest przechowywane w miejscu o wysokiej wilgotności powietrza, może dojść do zawilgocenia elementu grzejnego.

Nie należy tego traktować jako usterki, ponieważ wystarczy podłączyć urządzenie do zasilania przez gniazdko bez wyłącznika bezpieczeństwa, aby usunąć wilgoć. Czas schnięcia może wynosić od kilku godzin do kilku dni. Aby zapobiec takiej sytuacji, jeśli urządzenie nie jest używane przez dłuższy okres czasu, należy je regularnie uruchamiać.

## Bezpieczeństwo

- *Wszystkie produkty z grzałkami elektrycznymi należy wyposażyć w wyłącznik przeciwporażeniowy różnicowo-prądowy o mocy 300 mA jako zabezpieczenie przeciwpożarowe.*
- *Przestrzeń wokół krutek wlotowych i wylotowych nie powinna być niczym zablokowana!*
- *W trakcie pracy i stygnięcia powierzchnie urządzenia mogą być gorące!*
- *Nie wolno całkowicie ani częściowo przykrywać urządzenia tkaninami, ponieważ przegrzanie może doprowadzić do pożaru! (E)*
- *Do podnoszenia urządzenia należy używać odpowiedniego podnośnika.*
- *Urządzenie może być obsługiwane przez dzieci w wieku 8 lat i starsze oraz osoby o ograniczonej sprawności fizycznej, sensorycznej lub umysłowej, nie mające odpowiedniego doświadczenia lub wiedzy, jeśli znajdują się pod nadzorem lub zostały przeszkolone w zakresie bezpiecznej obsługi urządzenia i zdają sobie sprawę z występujących zagrożeń. Dzieci nie powinny używać urządzenia do zabawy. Czyszczenie i konserwacja prowadzona przez użytkownika nie powinny być wykonywane przez dzieci bez nadzoru.*

## Tłumaczenie początkowych stron

- Outside thread = Gwint zewnętrzny
- Quantity included = Dostarczona ilość
- pcs = Szt.
- Accessories = Wyposażenie dodatkowe
- See separate manual for xxx = Patrz oddzielna instrukcja do xxx.
- Wiring diagrams for XXX and XXX, see manual for SIRE = Schematy elektryczne do xxx i xxx, patrz instrukcja do układu SIRE.
- Note! The air curtain must be secured in the wall or ceiling. = Uwaga! Kurtynę powietrzną należy przymocować do ściany lub sufitu.

## Dane techniczne

Output steps [kW]	= Stopnie mocy
Output* <sup>5,6,7</sup> [kW]	= Moc
Airflow* <sup>1</sup> [m <sup>3</sup> /h]	= Wydajność powietrza
Sound power* <sup>2</sup> [dB(A)]	= Moc akustyczna
Sound pressure* <sup>3</sup> [dB(A)]	= Ciśnienie akustyczne
Voltage motor [V]	= Napięcie silnika
Amperage motor [A]	= Natężenie silnika
Voltage / Amperage heat	= Napięcie / Natężenie grzałki
Water volume [l]	= Pojemność wymiennika
Length [mm]	= Długość
Weight [kg]	= Masa

\*<sup>1</sup>) Najniższy/najwyższy przepływ powietrza dla wszystkich 5 stopni wentylatora.

\*<sup>2</sup>) Pomiary mocy akustycznej ( $L_{WA}$ ) zgodnie z normą ISO 27327-2: 2014, Instalacja typu E.

\*<sup>3</sup>) Ciśnienie akustyczne ( $L_{pA}$ ). Warunki: Odległość do urządzenia 5 m. Współczynnik kierunkowy: 2. Powierzchnia absorpcji: 200 m<sup>2</sup>. Przy najniższym/najwyższym przepływie powietrza.

\*<sup>4</sup>)  $\Delta t$  = przyrost temperatury przy maksymalnej mocy grzewczej i najniższym/najwyższym przepływie powietrza.

\*<sup>5</sup>) Przy temperaturze wody 60/40 °C, temperatura powietrza +18 °C.

\*<sup>6</sup>) Przy temperaturze wody 80/60 °C, temperatura powietrza +18 °C.

\*<sup>7</sup>) Przy temperaturze wody 40/30°C, temperatura powietrza +18 °C.

Stopień ochrony urządzeń z grzałkami elektrycznymi: IP20.

Stopień ochrony dla urządzeń bez ogrzewania i urządzeń z wymiennikiem wodnym: IP21.

Certyfikat CE.

## Tabele wydajności – wymiennik wodny

Supply water temperature [°C]	= Temperatura wody zasilającej
Room temperature [°C]	= Temperatura pomieszczenia
Outlet air temperature* <sup>1</sup> [°C]	= Temperatura wydmuchiwanego powietrza
Water temperature [°C]	= Temperatura wody
Fan position	= Prędkość
Airflow [m <sup>3</sup> /h]	= Wydajność powietrza
Output* <sup>2</sup> [kW]	= Moc
Return water temperature [°C]	= Temperaturze wody powrotnej
Water flow [l/s]	= Przepływ wody
Pressure drop [kPa]	= Spadek ciśnienia

\*<sup>1</sup>) Zalecana temperatura wydmuchiwanego powietrza, która zapewni dobry komfort i optymalną wydajność.

\*<sup>2</sup>) Nominalna wydajność przy określonej temperaturze wody zasilającej i powrotnej.

Dodatkowe obliczenia można znaleźć na stronie [www.frico.pl](http://www.frico.pl).









**Main office**

Frico AB  
Box 102  
SE-433 22 Partille  
Sweden

Tel: +46 31 336 86 00

mailbox@frico.se  
www.frico.se

**For latest updated information and information  
about your local contact: [www.frico.se](http://www.frico.se)**